

hmpdc

1:10 SCALE 2WD ELECTRIC TRUCK
TR02T CHASSIS



Team

Notice

Thank you for purchasing this Hyde Offroad Truck by Team C. This manual shows instructions and tips to built and maintain your Hyde. Please take some time to read through to get familiar with the shown steps.

We continually improve our products, due to that, actual parts my be different to the illustrations. Please check our website for the latest versions manuals and tips before you start to built this model.

This manual is written in english language only. If you need a manual in your language please visit our website or contact your distributor!

Diese Anleitung wurde in englischer Sprache verfasst. Sollten sie eine Anleitung in ihrer Sprache benötigen, besuchen sie unsere website oder konaktieren sie ihren Vertriebsagenten.

Questo manuale è stato scritto in inglese. Se avete bisogno del manuale nella tua lingua, si prega di visitare il nostro sito web o contattate il proprio distributore.

Este manual está escrito en Inglés. Si necesita el manual en su idioma, por favor visite nuestro sitio web o contacte con su distribuidor.

Ce manuel est écrit en langue anglaise. Si vous avez besoin d'un manuel dans votre langue s'il vous plaît visitez notre site web ou contactez votre distributeur!

Deze handleiding is geschreven in het Engels taal beschikbaar. Als u een handleiding in uw eigen taal kunt u terecht op onze website of neem contact op met uw distributeur!

Generall Information

THIS IS NOT A TOY!

Not suitable for children under 14 years of age without adult supervision.

This is a high performance vehicle, for safety reason don't run on public streets, in crowded areas, environmentally areas or near children or animals.

This model contains rotating parts and parts which become hot during operation. Care must been taken to avoid damage or injuries.

This product may require some assembly and routine maintance.

This product is covered by warranty based on material defectives. Crash damage or maintenance failures are not covered under warranty.

Batteries should be used in good condition only, and need to be fully charged.

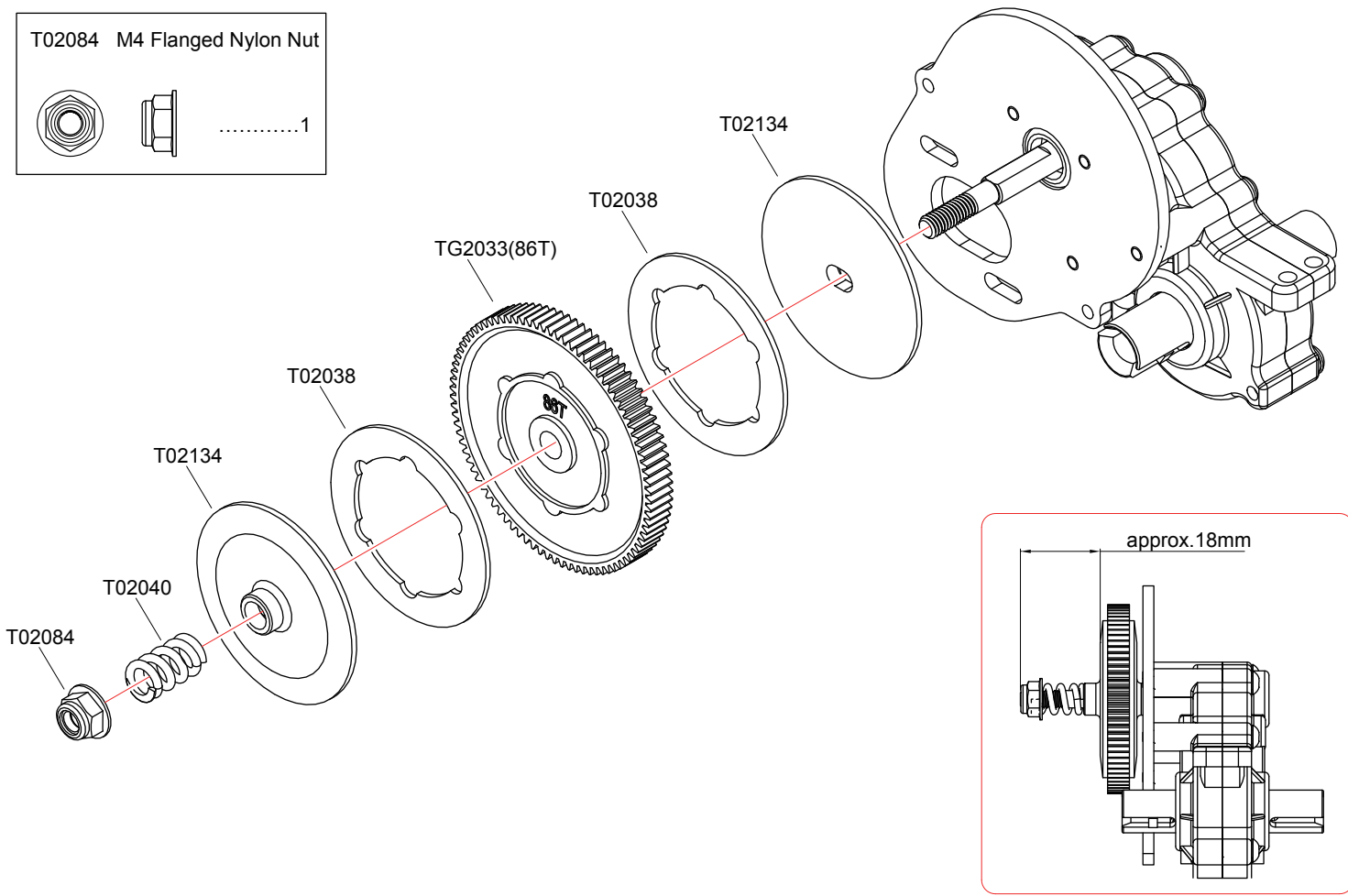
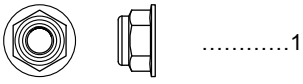
Nitro models should be driven outside of buildings only. Inhaling exhaust gases could cause health damage.

Keep chemicals stored out of the range of small children.

Make sure your model and equipment is in perfect condition before you use it, to ensure savety and fun while driving.

13 Main Gear

T02084 M4 Flanged Nylon Nut



14 Rear Damper Stay

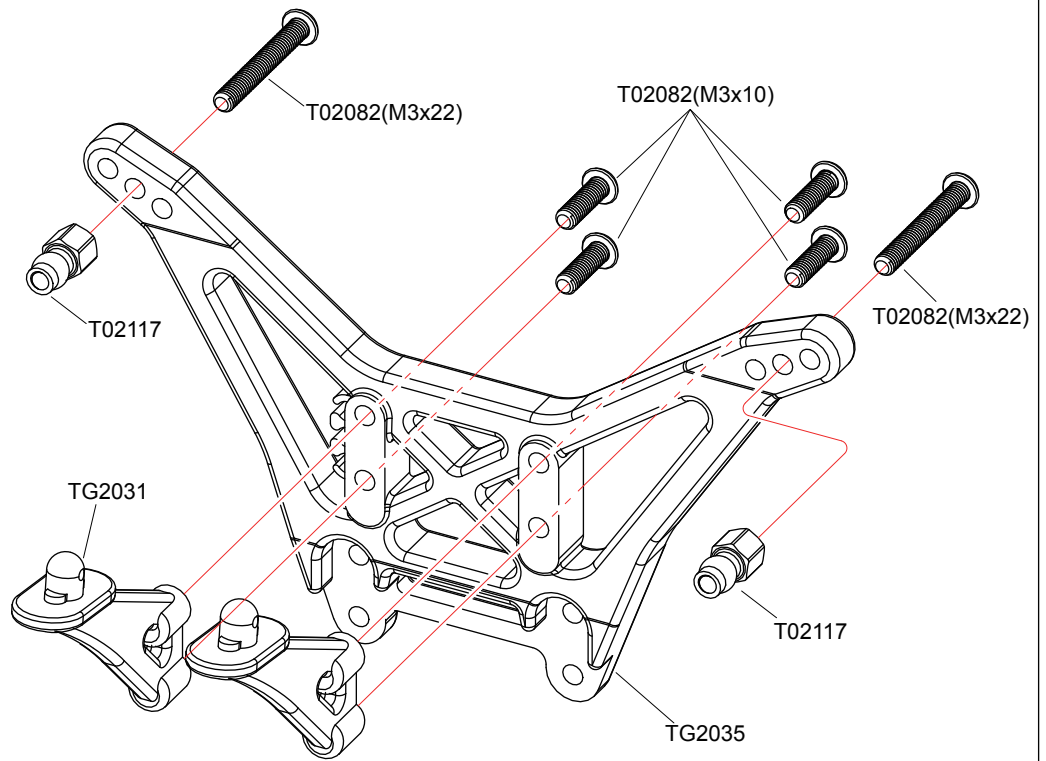
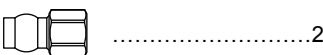
T02082 M3x10 Screw



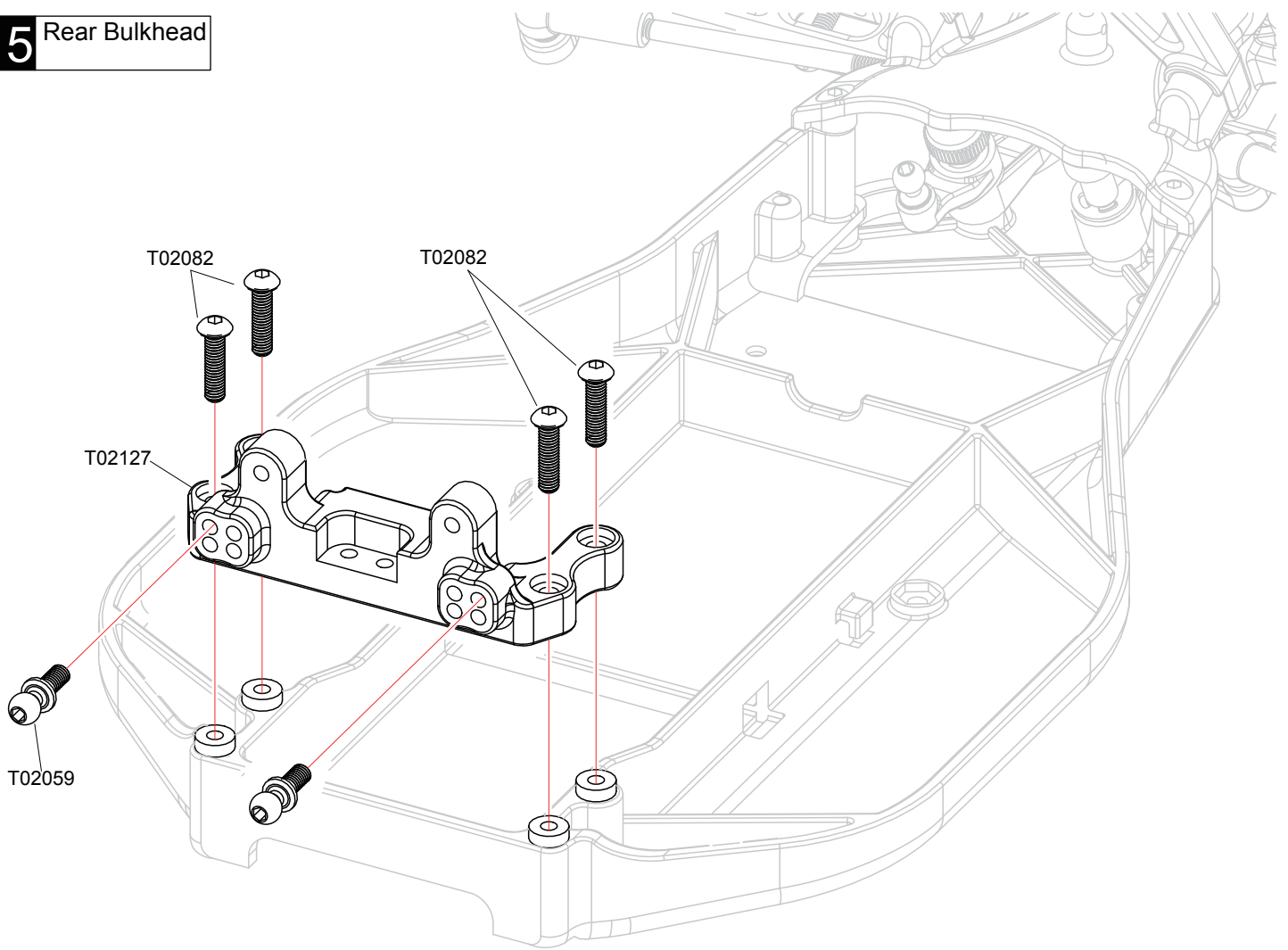
T02082 M3x22 Screw





T02117 5mm Ball stud

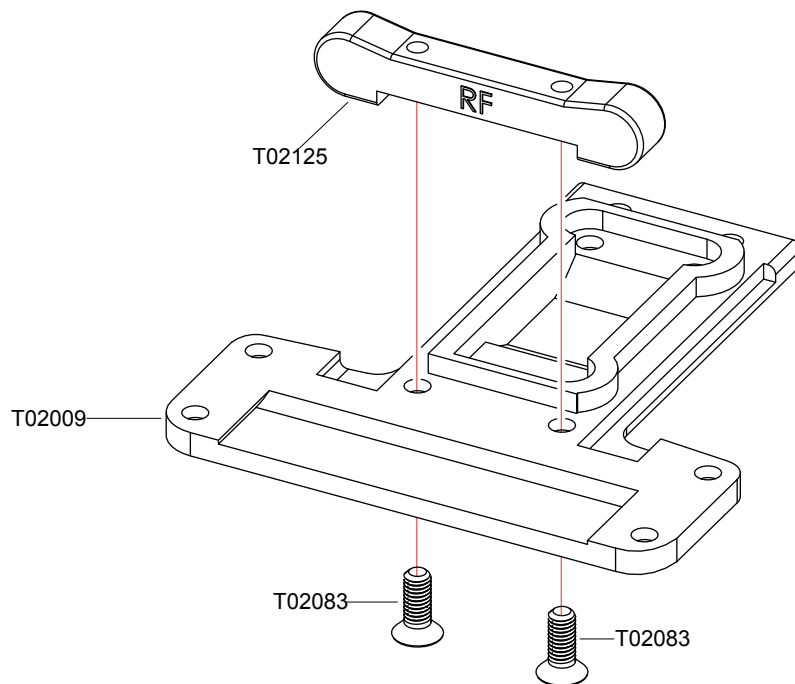



15 Rear Bulkhead



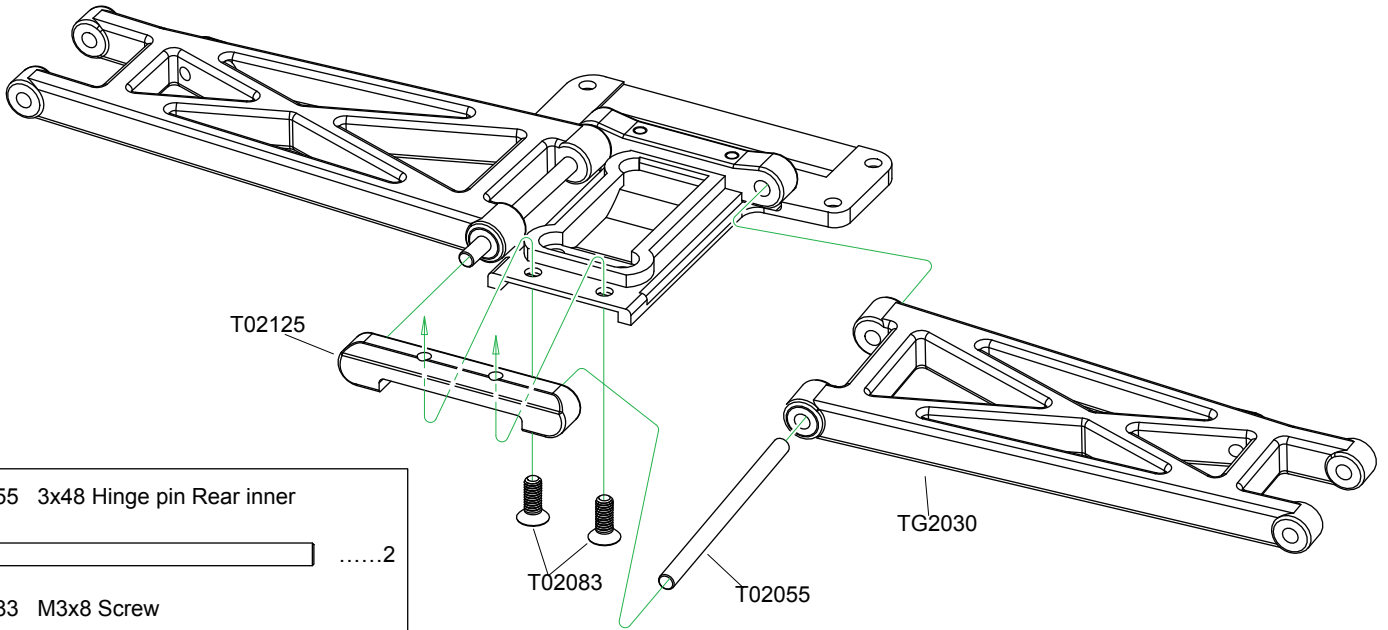
T02059	Ball stud - long	T02082	M3x10 Screw
2	4

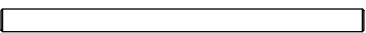
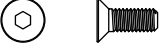
16 Rear Chassis



T02083	M3x8 Screw
2

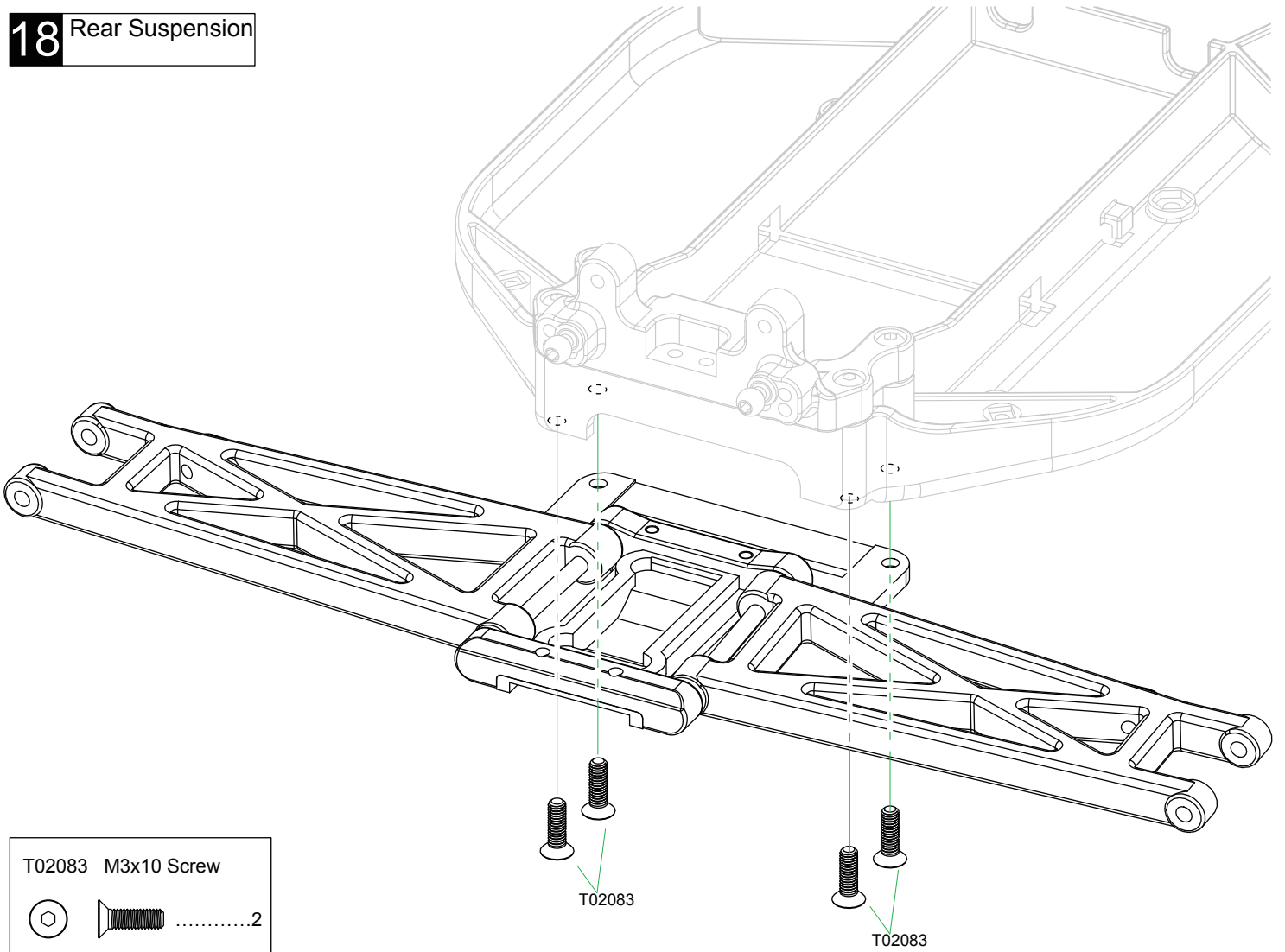
17 Rear Suspension



- T02055 3x48 Hinge pin Rear inner
2
- T02083 M3x8 Screw
2



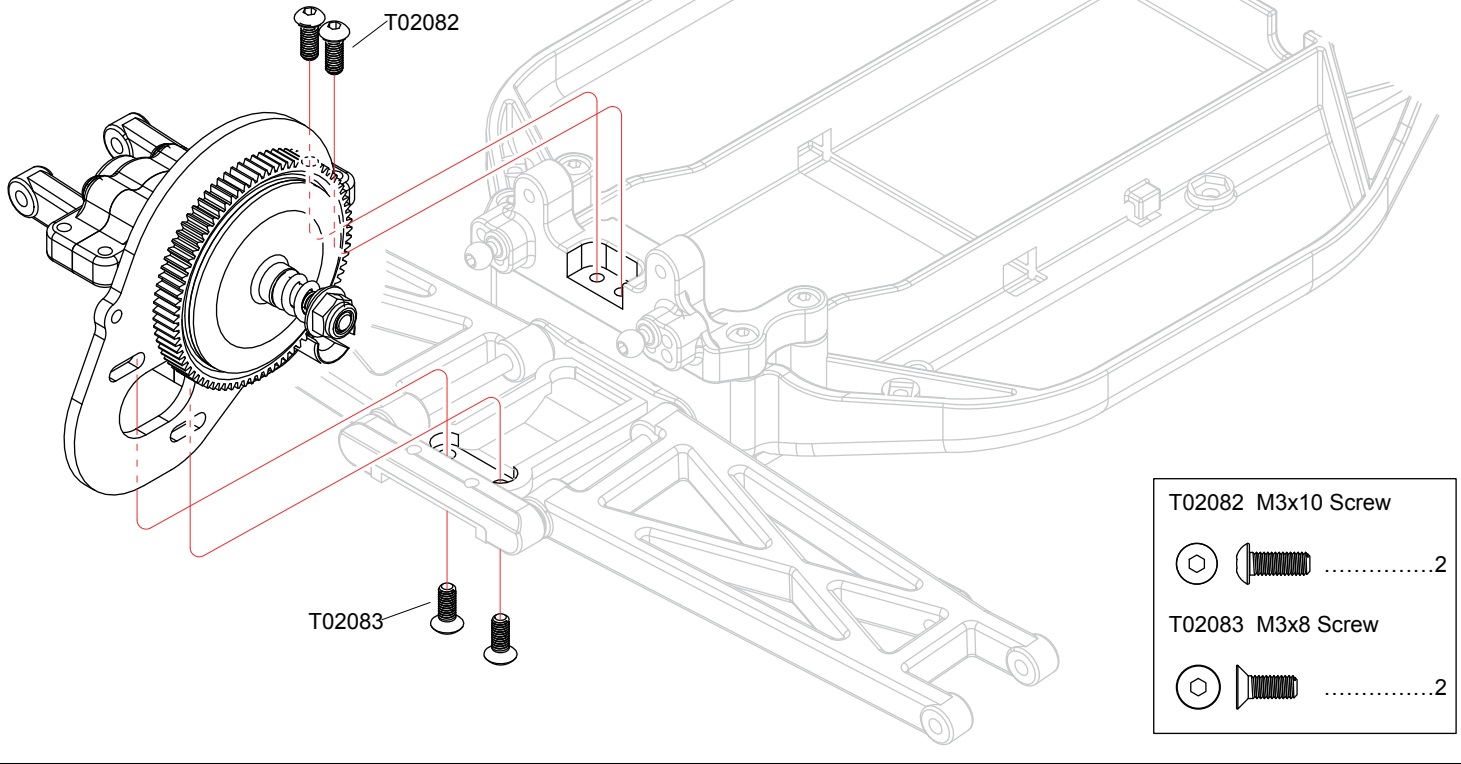
18 Rear Suspension





- T02083 M3x10 Screw
2





19 Rear Transmission

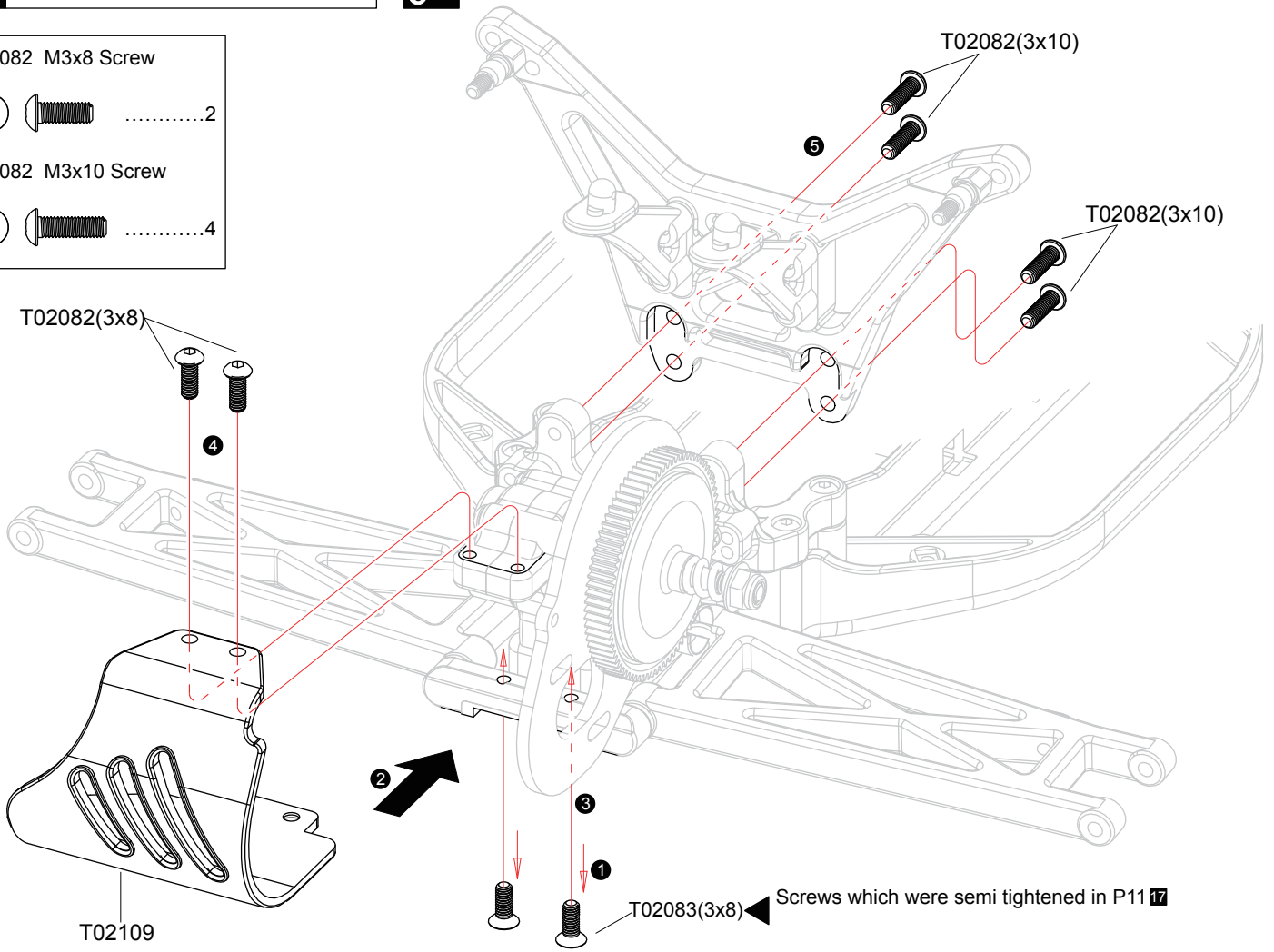


- T02082 M3x10 Screw
 - 2
- T02083 M3x8 Screw
 - 2

20 Rear Shock Stay & Rear Fender

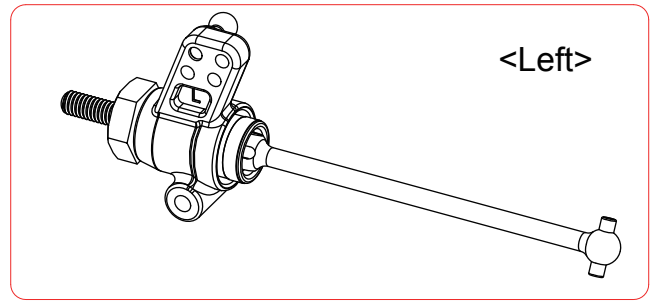


- T02082 M3x8 Screw
 - 2
- T02082 M3x10 Screw
 - 4

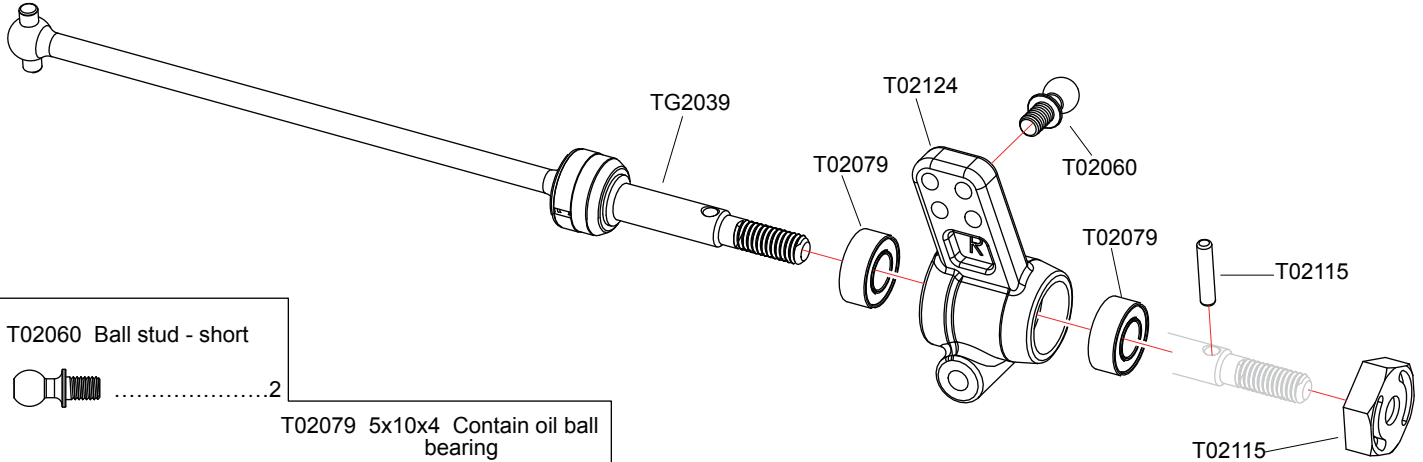


Assemble in the specified order

21 Rear Suspension



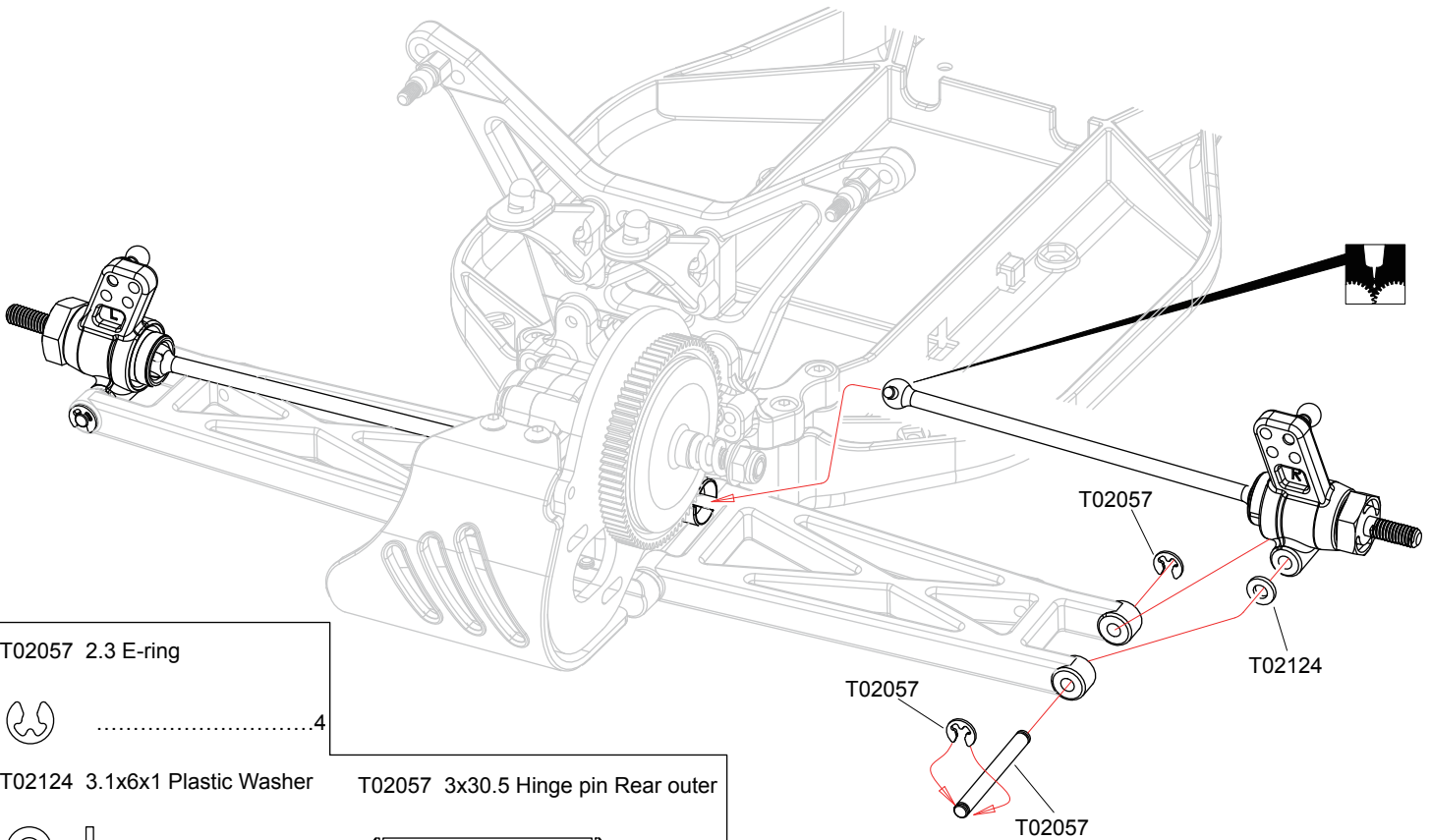
<Right>



- T02060 Ball stud - short2
- T02079 5x10x4 Contain oil ball bearing
- T02115 2x9.8 Shaft2



22 Rear Suspension



- T02057 2.3 E-ring4
- T02124 3.1x6x1 Plastic Washer
- T02057 3x30.5 Hinge pin Rear outer2

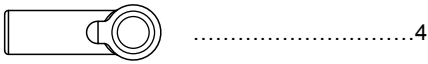


23 Rear Suspension

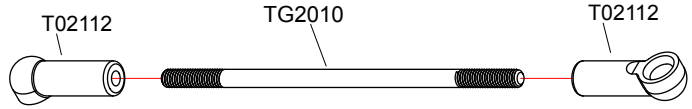
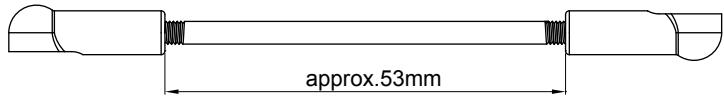
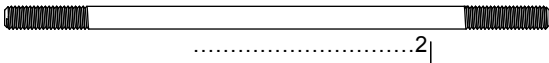
Rear Upper

x2 1:1

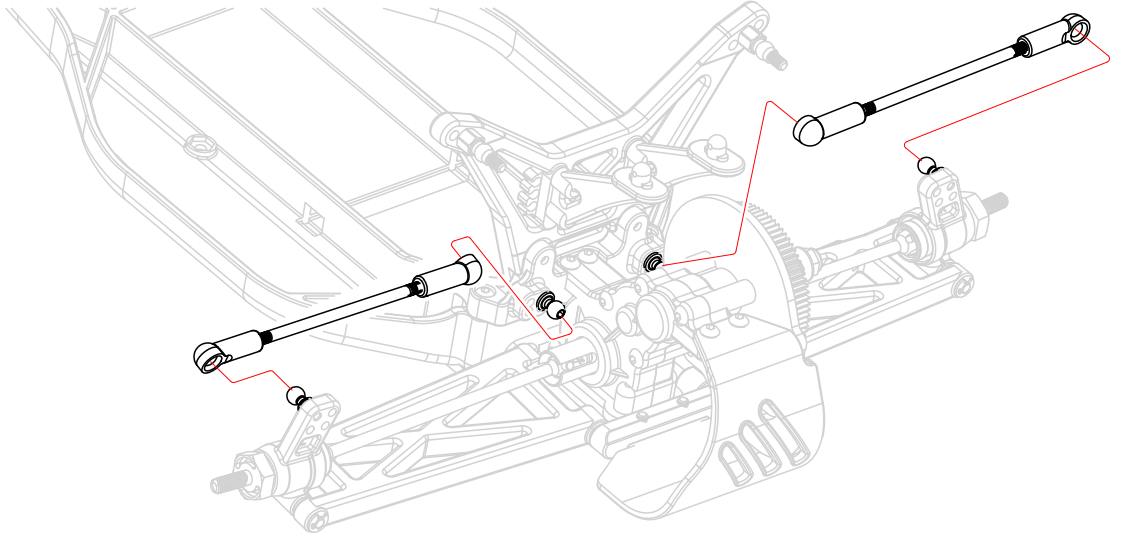
T02112 4.8mm Ball End(Long)



TG2010 3x72 Turnbuckle

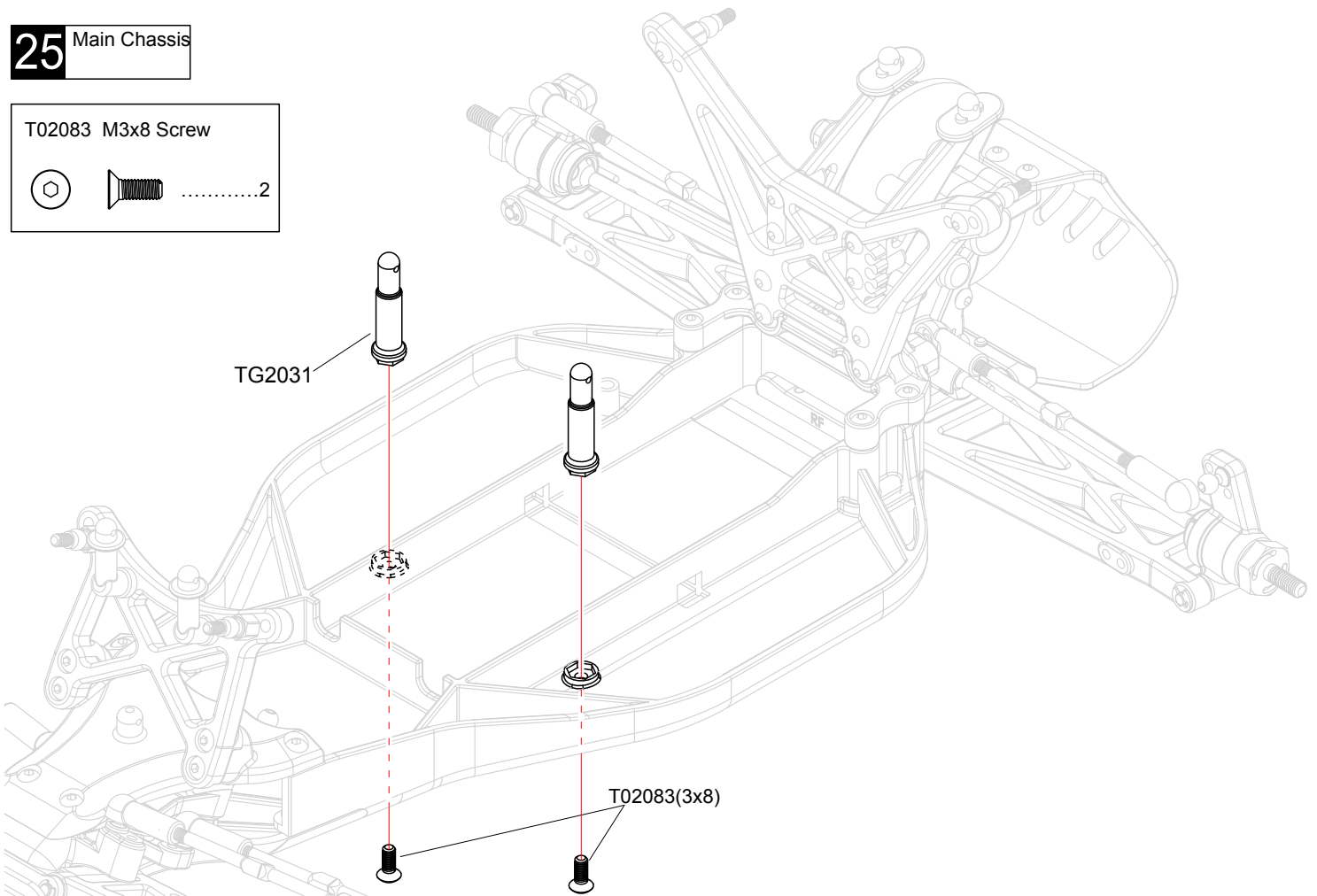


24 Rear Suspension



25 Main Chassis

T02083 M3x8 Screw

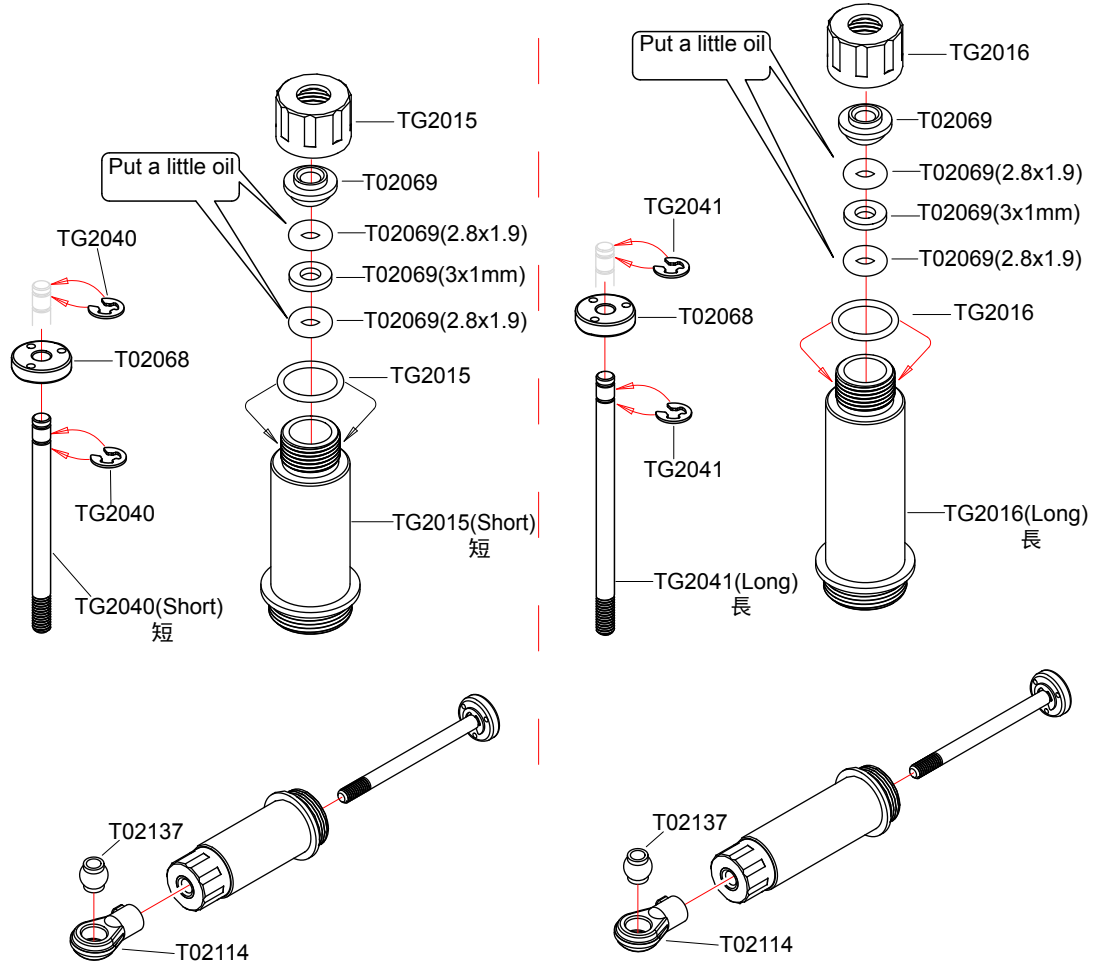


26 Shock Absorber

Front **x2**

Rear **x2**

- TG2040 / TG2041 2.3 E-ring8
- T02068 9.9x2.5 Shock Piston4
- T02069 2.8x1.9 O-ring8
- T02069 3.1x1mm Plastic Washer4
- TG2015 / TG2016 8x1 O-ring4
- T02114 5.8 Ball End4
- T02137 5.8x6 Ball stud4



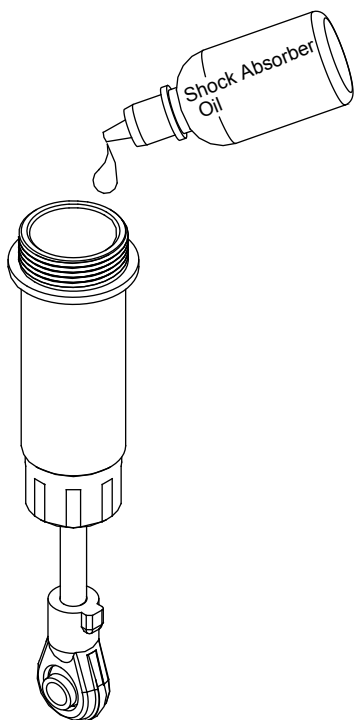
27 Shock Absorber



1 Put the oil

for Front(Short)
for Rear(Long)

F/R x2

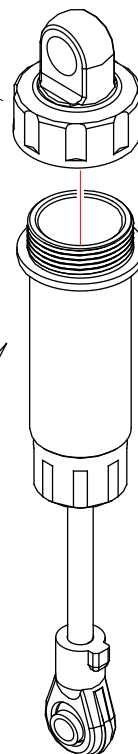


TG2015 / TG2016

2

for Front(Short)
for Rear(Long)

F/R x2



28 Shock Absorber

Front **x2**

Compress the spring and install

for adjusting the spring tension

T02114

TG2017(Short)

TG2015

Short

T02140

Long

T02140

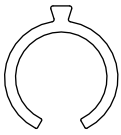
TG2016

T02114

TG2018(Long)

Rear **x2**

T02140 3mm adjuster ring



.....8

29 Front Suspension

T02084

Short
短

T02082

T02084 M3 Nylon Nut

T02082 M3x15 Screw



.....2



.....2

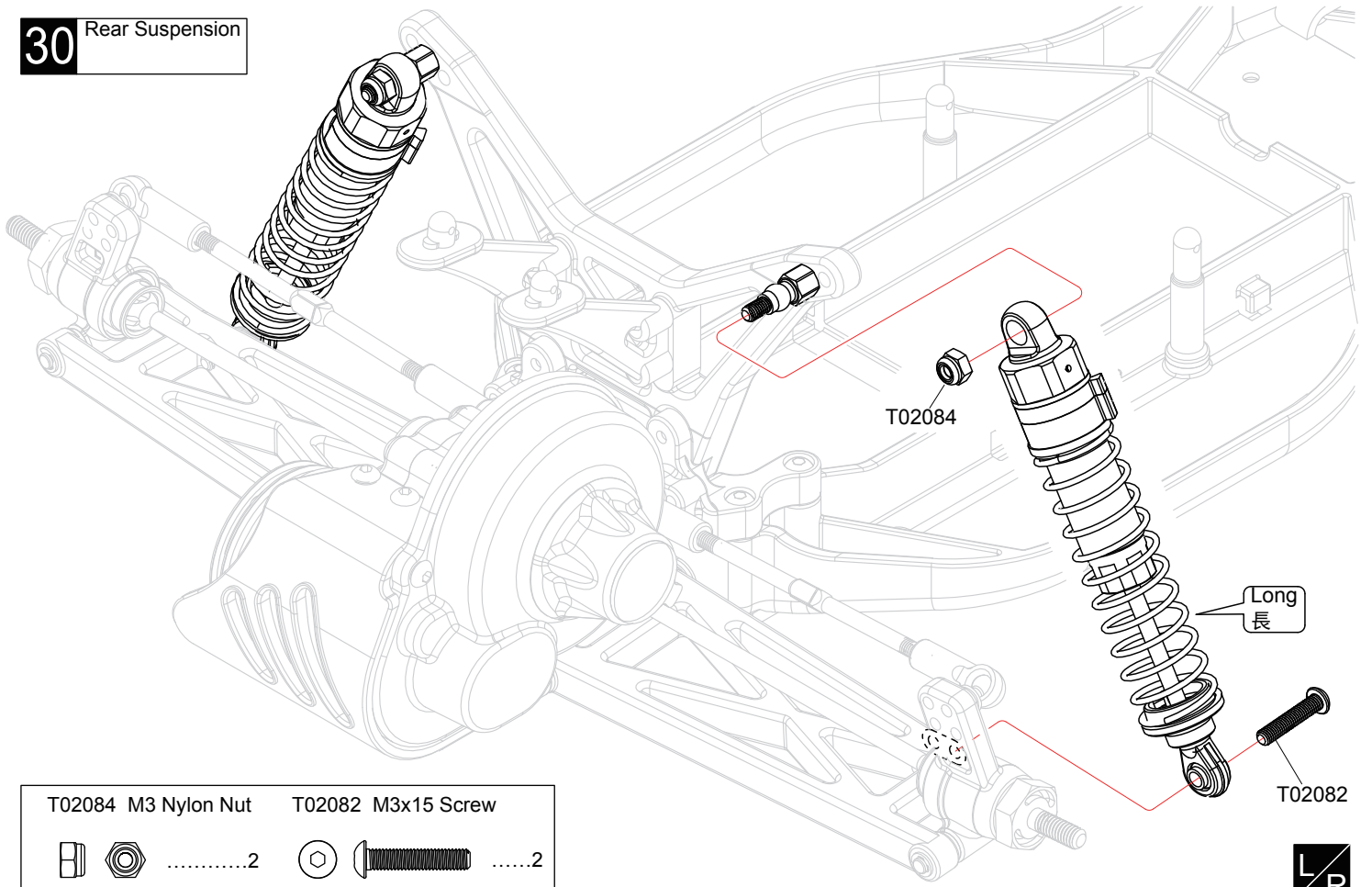


x2 Assemble as many times as specified

Assemble in the specified order

Assemble left and rear sides the same way

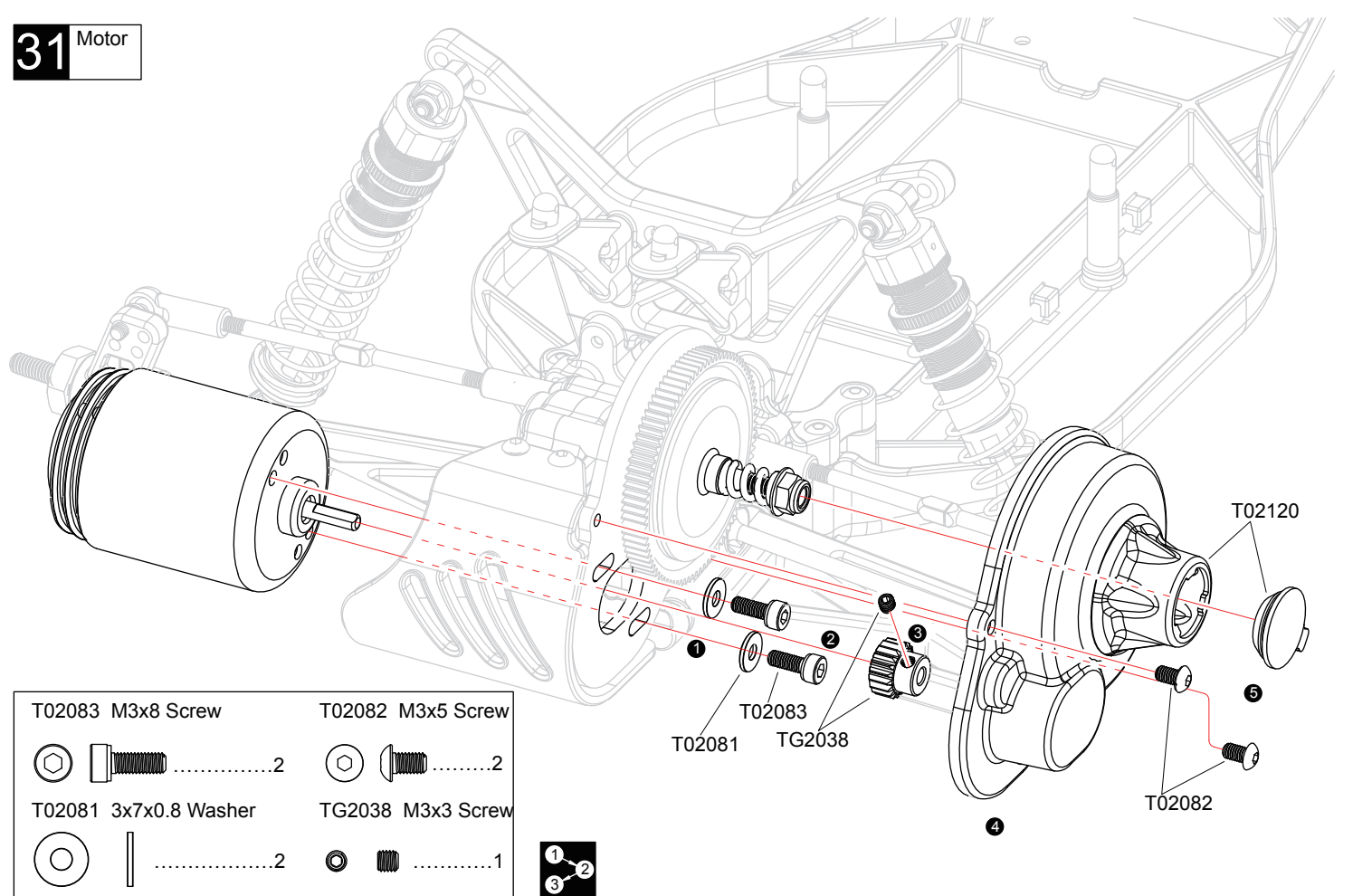
30 Rear Suspension



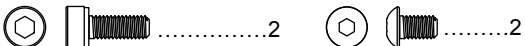
T02084 M3 Nylon Nut T02082 M3x15 Screw



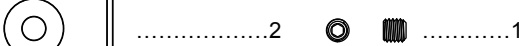
31 Motor



T02083 M3x8 Screw T02082 M3x5 Screw



T02081 3x7x0.8 Washer TG2038 M3x3 Screw



32 Steering Servo



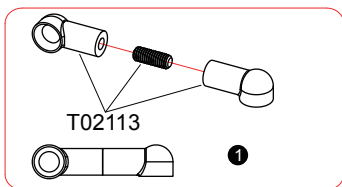
Select for your servo



Steering Servo-H(24T)

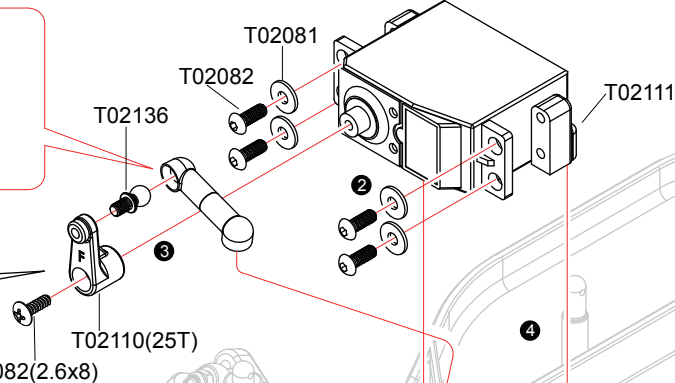


Steering Servo-S(23T)



T02113

1



T02081

T02082

T02111

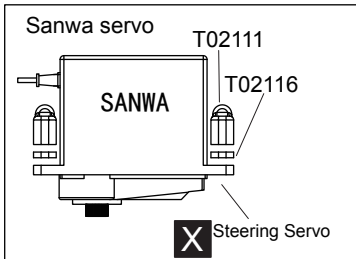
T02136

3

T02110(25T)

T02082(2.6x8)

4

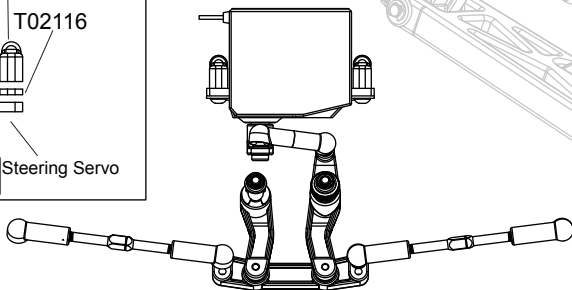


Sanwa servo

T02111

T02116

X Steering Servo



T02113 4.8 Ball End(Short)

T02081 3x7x0.8 Washer

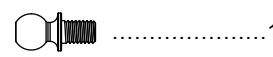
T02136 Ball stud - silvery



.....2



.....4



.....1

T02113 M3x10 Screw

T02082 M3x8 Screw

T02082 M2.6x8 Screw

T02083 M3x8 Screw

T02116 1.5 Servo spacer



.....1



.....4



.....1



.....2



.....2

33 Radio

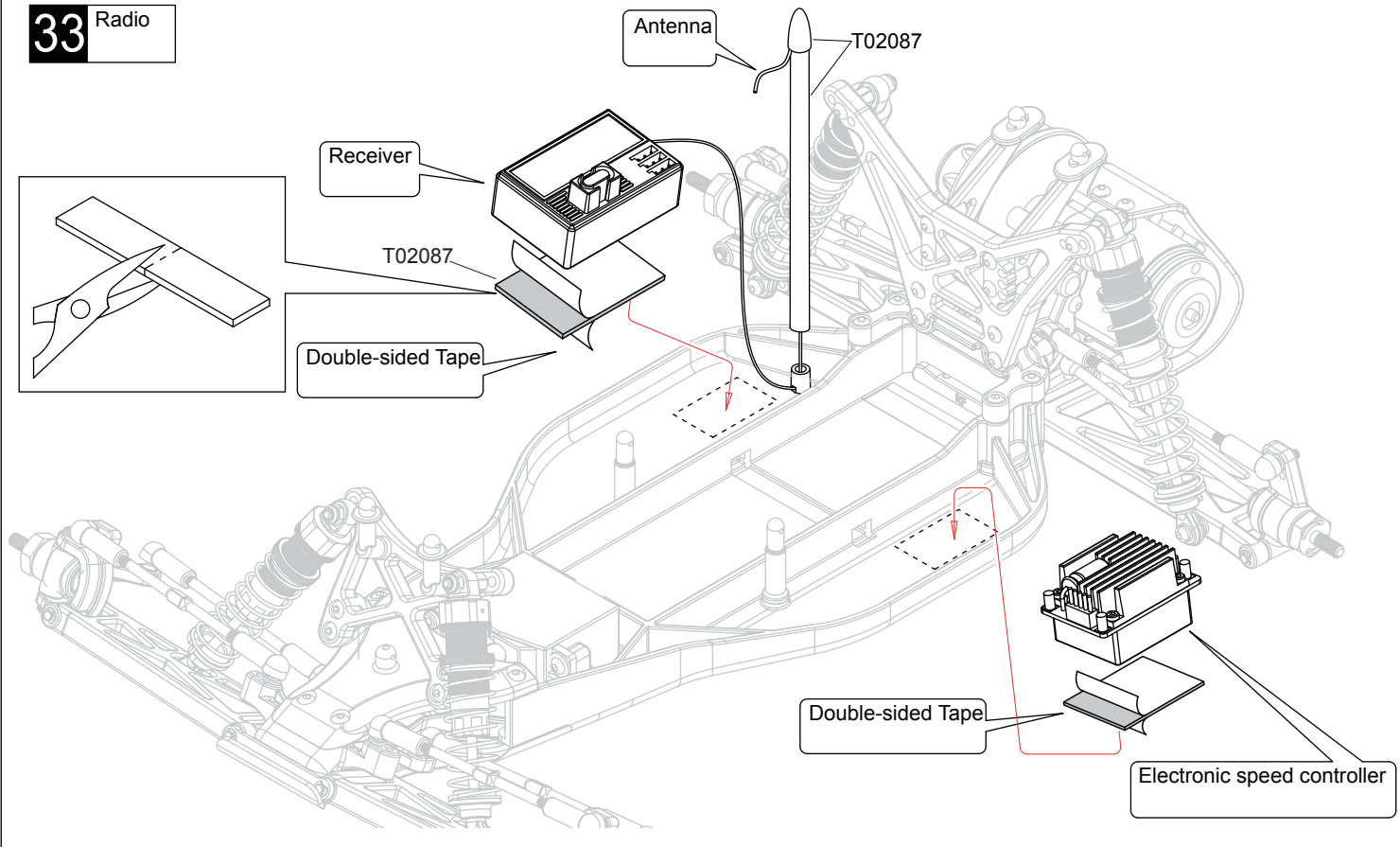
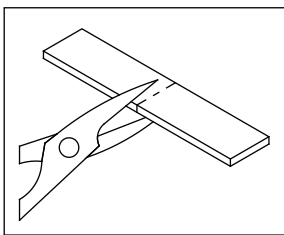
Antenna

T02087

Receiver

T02087

Double-sided Tape



Double-sided Tape

Electronic speed controller



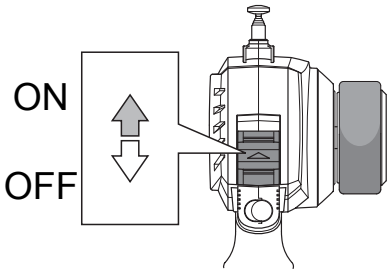
Assemble in the specified order



Must be purchased separately

Transmitter Preparation

Power Switch



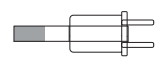
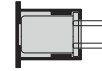
Antenna

Extend the antenna to the maximum Length for best performance

27MHz Transmitter Crystal (TX)

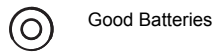
Transmitter crystal(TX)

Receiver crystal(RX)



The crystal can be replaced to change frequencies.
Note : You must also change receiver crystals!
Do not use AM crystals

Battery Level Indicator



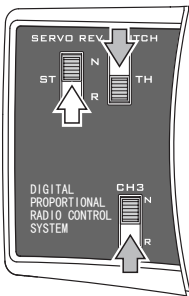
Good Batteries



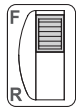
Low Batteries(Light Blinks)

Reverse Switch 反向开关

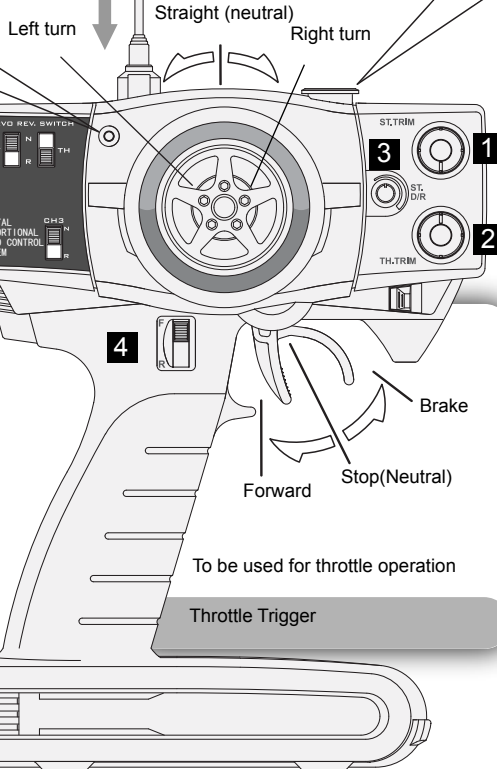
! Servo Factory Settings



4 3ch Switch



This switch is used for optional parts.



1 Steering Trim



To be used for trimming the steering operation

2 Throttle Trim



To be used for trimming the throttle operation

3 Steering Dual Rate

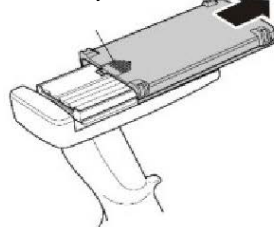


To be used to adjust steering servo throw

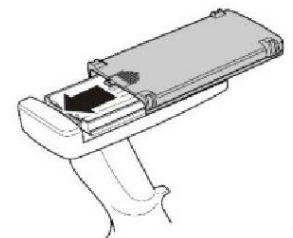
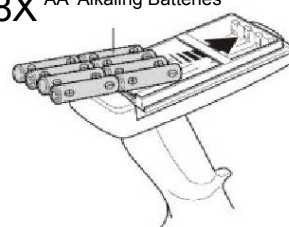
Transmitter Battery Installation

Open battery cover at the bottom of transmitter. Install batteries. Follow the direction of batteries designated in the inside of battery box.

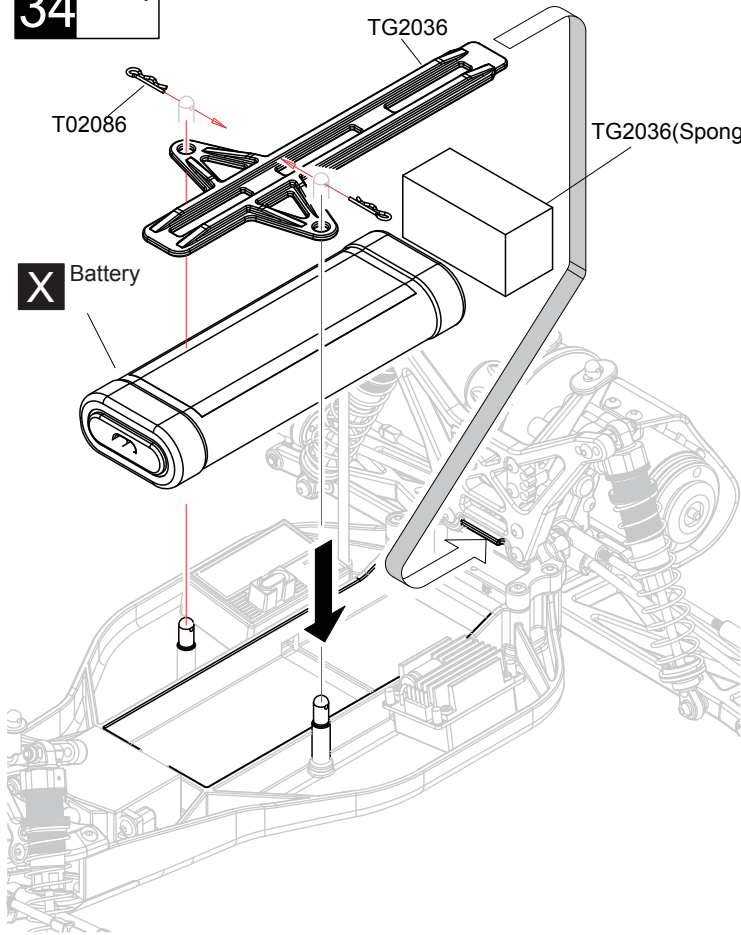
Battery Cover



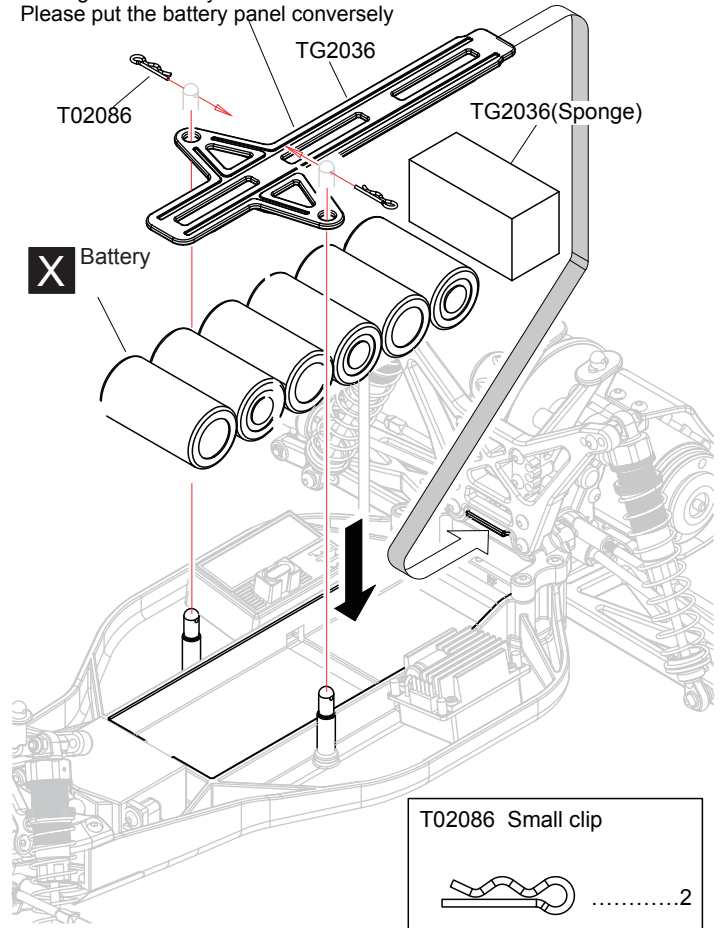
8X AA Alkaling Batteries



34 Battery



If using loose battery cells
Please put the battery panel conversely

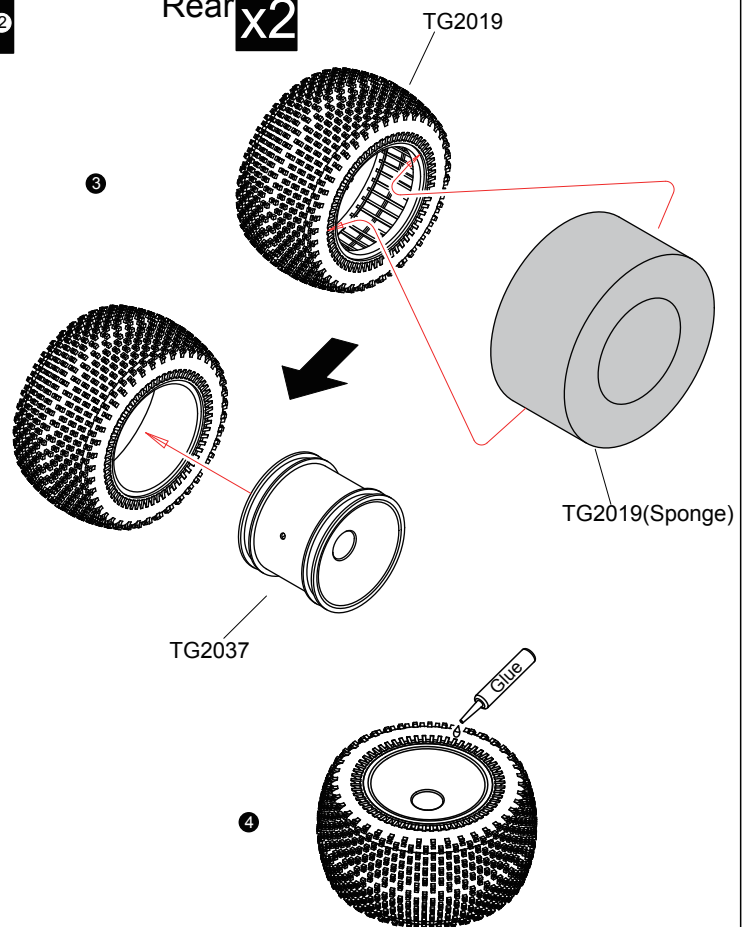
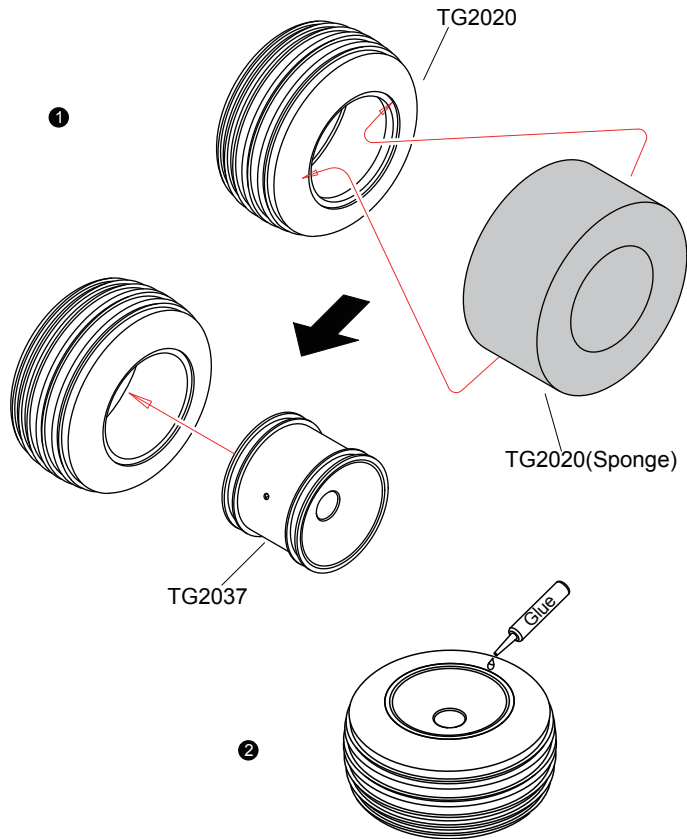


35 Wheels

Front **x2**

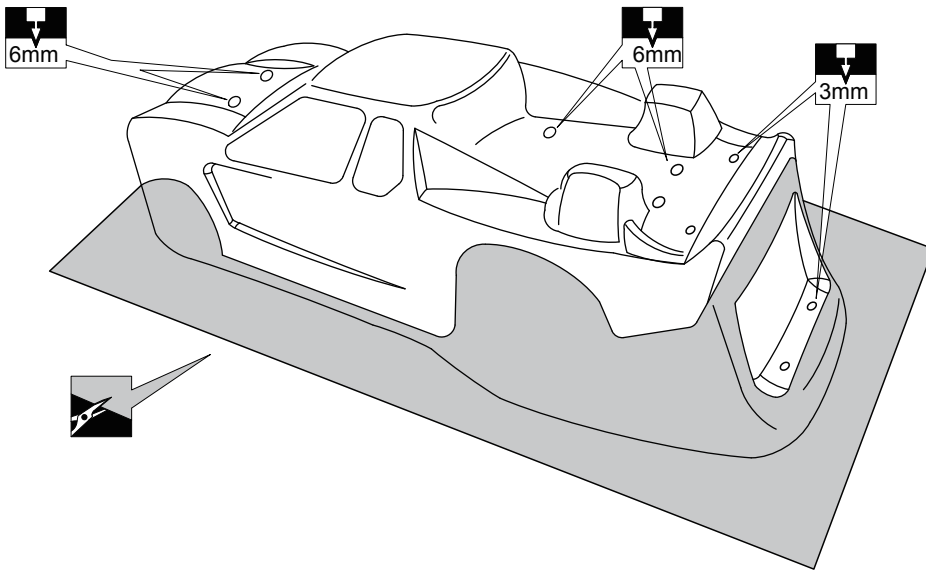
1-2
3-2

Rear **x2**

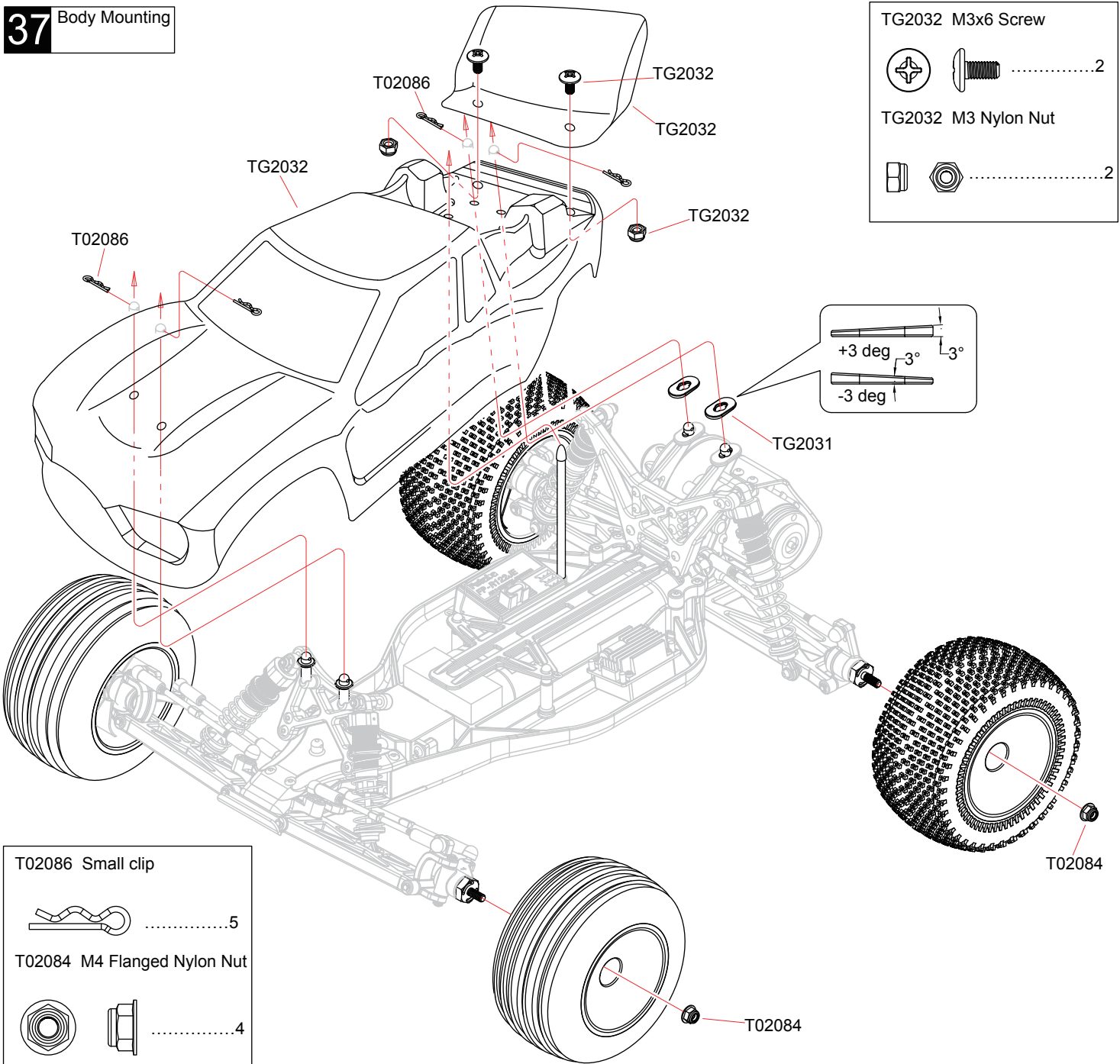




After fitting wheels to tyres, apply instant glue as shown



36 Body Mounting

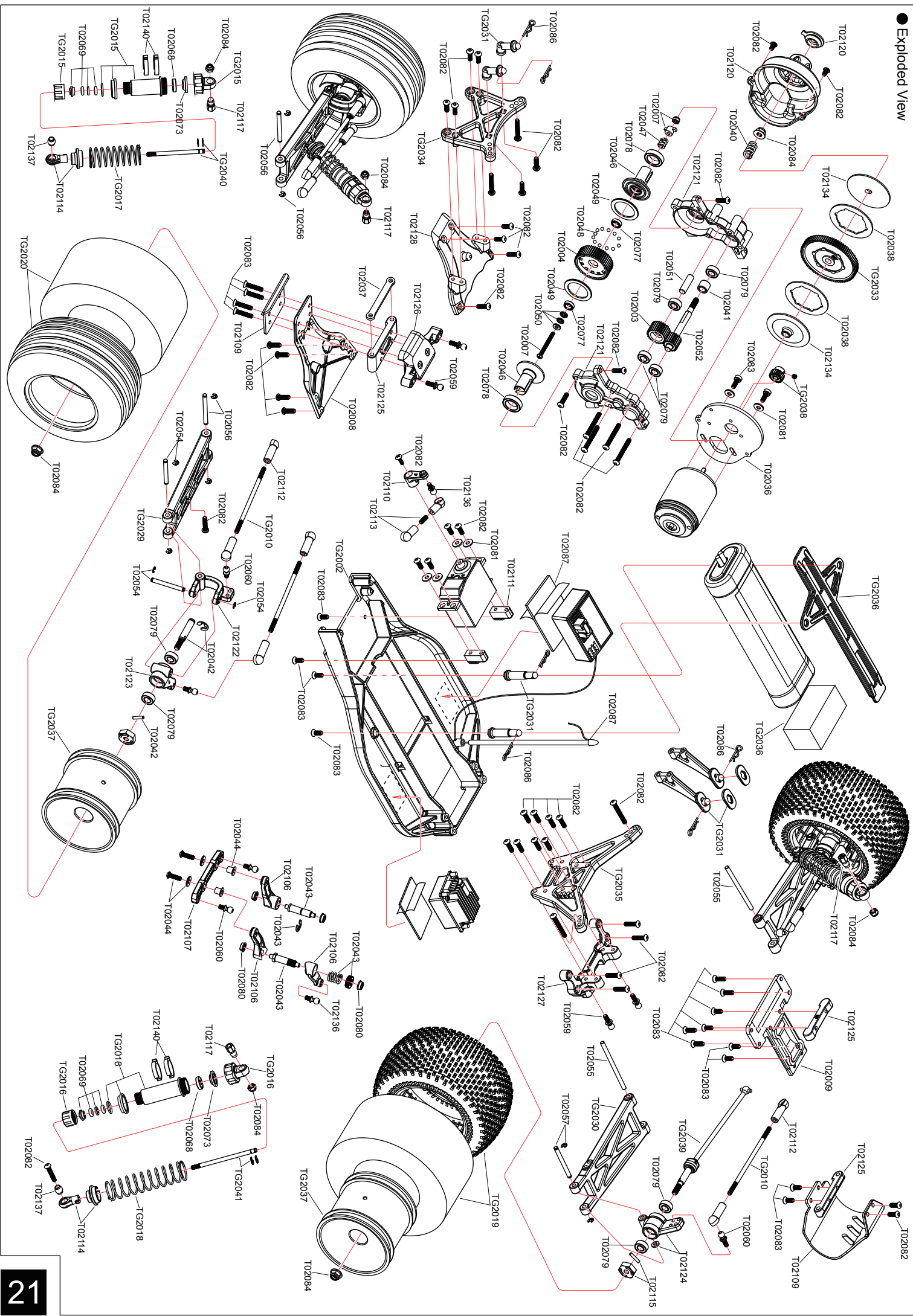


37 Body Mounting



- TG2032 M3x6 Screw
-  2
- TG2032 M3 Nylon Nut
-  2

- T02086 Small clip
-  5
- T02084 M4 Flanged Nylon Nut
-  4



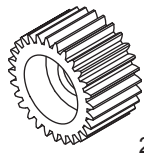
Parts list for Hyde - 1

TG2033



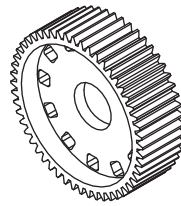
86T Spur Gear
1PCS

T02003



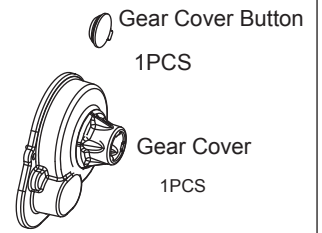
28T Spur Gear
1PCS

T02004



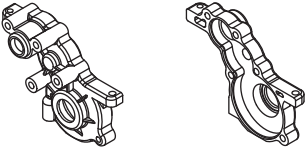
52T Gear
1PCS

T02120



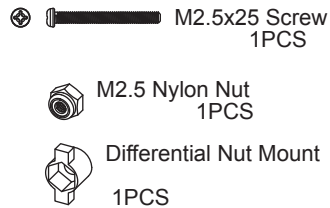
Gear Cover Button
1PCS
Gear Cover
1PCS

T02121



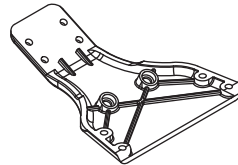
Differential-L
1PCS
Differential-R
1PCS

T02007



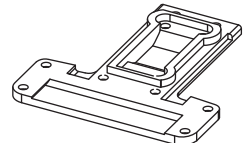
M2.5x25 Screw
1PCS
M2.5 Nylon Nut
1PCS
Differential Nut Mount
1PCS

T02008



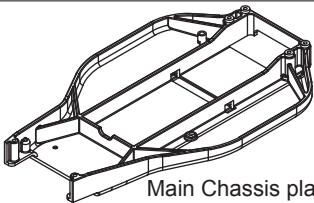
Front chassis plate
1PCS

T02009



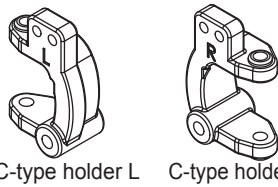
Rear chassis plate
1PCS

TG2002



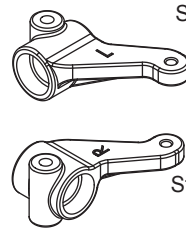
Main Chassis plate
1PCS

T02122



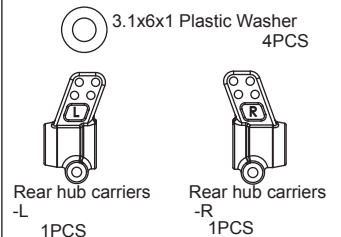
C-type holder L
1PCS
C-type holder R
1PCS

T02123



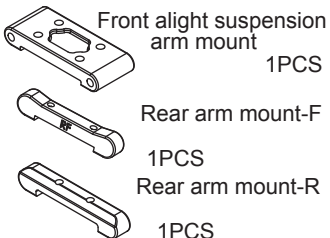
Steering block-L
1PCS
Steering block-R
1PCS

T02124



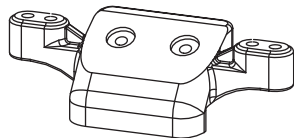
3.1x6x1 Plastic Washer
4PCS
Rear hub carriers
-L
1PCS
Rear hub carriers
-R
1PCS

T02125



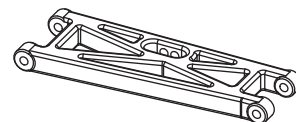
Front aight suspension
arm mount
1PCS
Rear arm mount-F
1PCS
Rear arm mount-R
1PCS

T02126



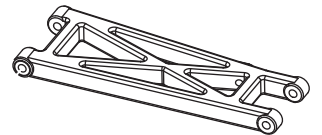
Front upper suspension
arm mount
1PCS

TG2029



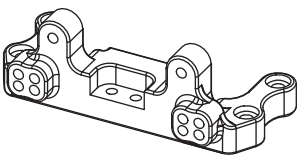
Front lower arms
2PCS

TG2030



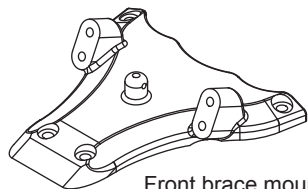
Rear lower arms
2PCS

T02127



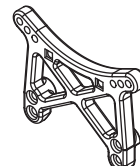
Rear brace mount
1PCS

T02128



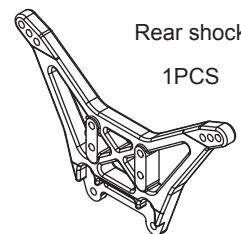
Front brace mount
1PCS

TG2034



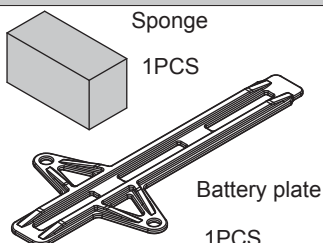
Front shock tower
1PCS

TG2035



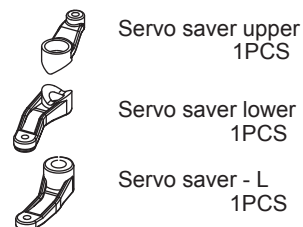
Rear shock tower
1PCS

TG2036



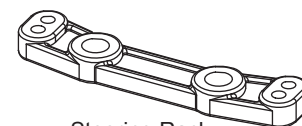
Sponge
1PCS
Battery plate
1PCS

T02106



Servo saver upper
1PCS
Servo saver lower
1PCS
Servo saver - L
1PCS

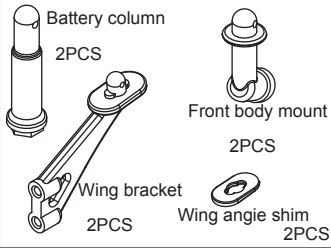
T02107



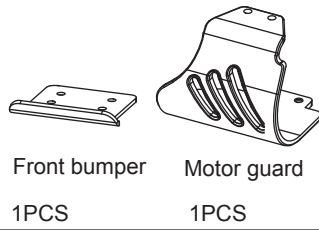
Steering Rack
1PCS

Parts list for Hyde - 2

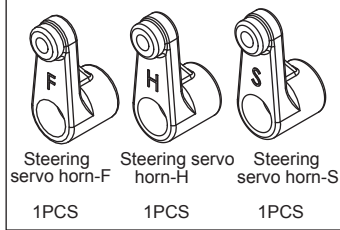
TG2031



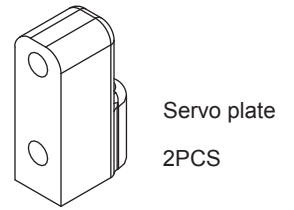
T02109



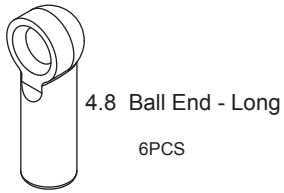
T02110



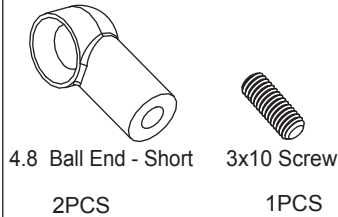
T02111



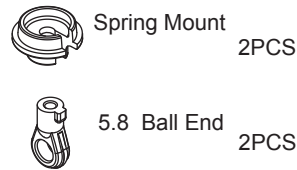
T02112



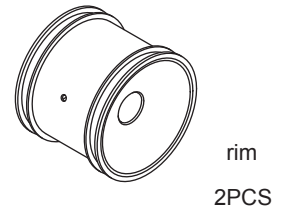
T02113



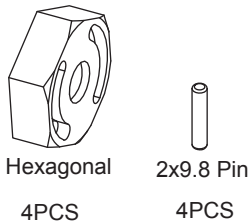
T02114



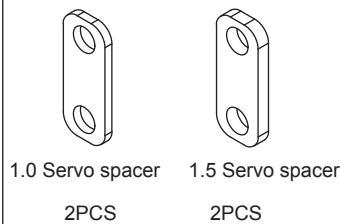
TG2037



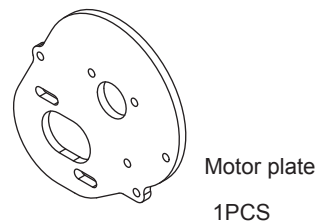
T02115



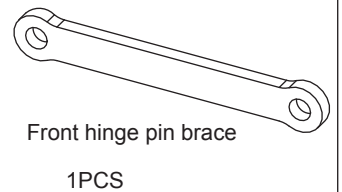
T02116



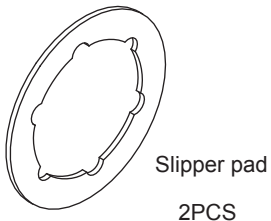
T02036



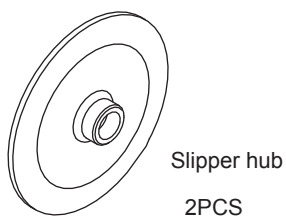
T02037



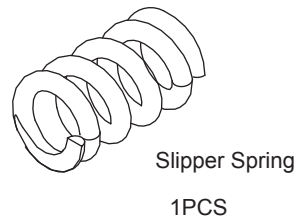
T02038



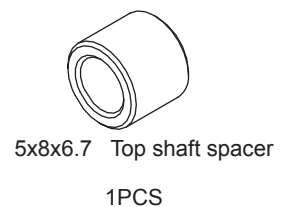
T02134



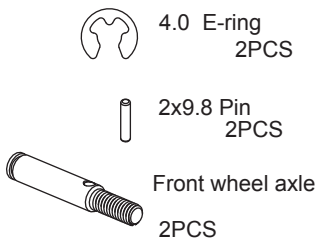
T02040



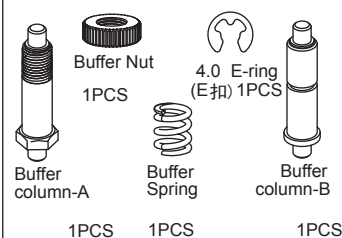
T02041



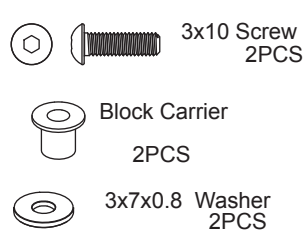
T02042



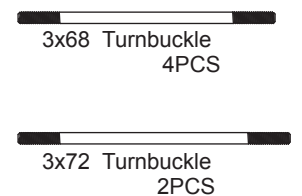
T02043



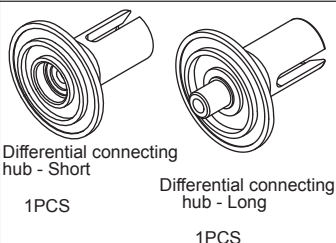
T02044



TG2010



T02046



T02047



T02048



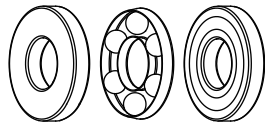
Parts list for Hyde - 3

T02049



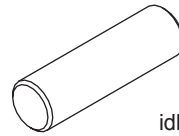
17x23x1 Washer
2PCS

T02050



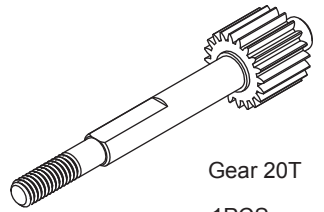
2.6x6x3 Stop push ball bearing
1PCS

T02051



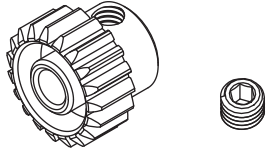
idler gear shaft
1PCS

T02052



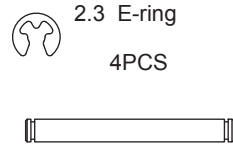
Gear 20T
1PCS

TG2038



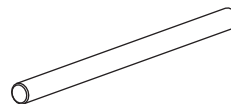
Pinion Gear 19T 3x3 Screw
1PCS 1PCS

T02054



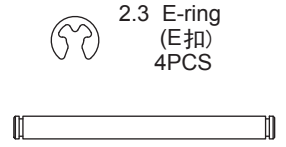
2.3 E-ring 4PCS
3x27.5 Hinge pin front outer
2PCS

T02055



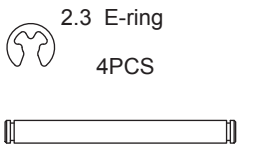
3x48 Hinge pin Rear inner
2PCS

T02056



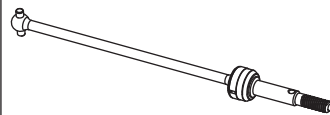
2.3 E-ring (E扣) 4PCS
3x34.5 Hinge pin front inner
2PCS

T02057



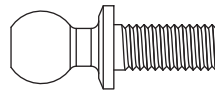
2.3 E-ring 4PCS
3x30.5 Hinge pin Rear outer
2PCS

TG2039



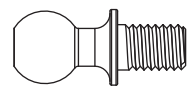
Rear CVD
2PCS

T02059



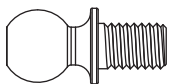
Ball stud - long
2PCS

T02060



4.8x5 Ball stud - short
5PCS

T02136



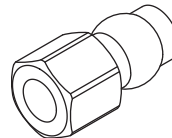
Ball stud - silvery
2PCS

T02137



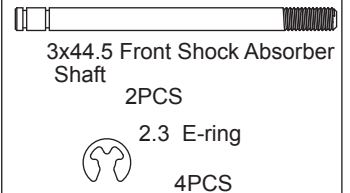
5.8x6 Ball stud
4PCS

T02117



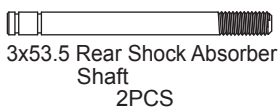
5mm Ball stud
4PCS

TG2040

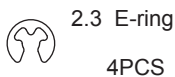


3x44.5 Front Shock Absorber Shaft 2PCS
2.3 E-ring 4PCS

TG2041

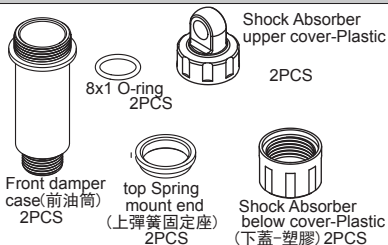


3x53.5 Rear Shock Absorber Shaft
2PCS



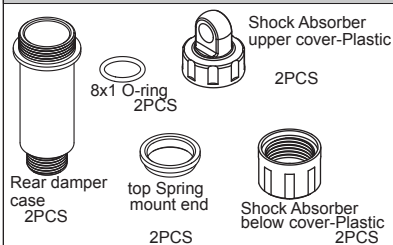
2.3 E-ring
4PCS

TG2015



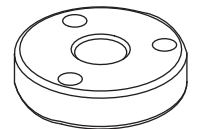
Shock Absorber upper cover-Plastic 2PCS
8x1 O-ring 2PCS
Front damper case(前油筒) 2PCS
top Spring mount end (上彈簧固定座) 2PCS
Shock Absorber below cover-Plastic (下蓋-塑膠) 2PCS

TG2016



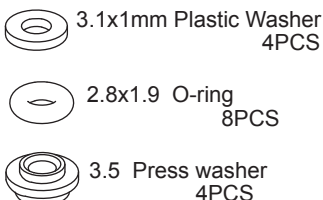
Shock Absorber upper cover-Plastic 2PCS
8x1 O-ring 2PCS
Rear damper case 2PCS
top Spring mount end 2PCS
Shock Absorber below cover-Plastic 2PCS

T02068



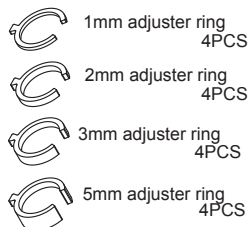
Shock piston
4PCS

T02069



3.1x1mm Plastic Washer 4PCS
2.8x1.9 O-ring 8PCS
3.5 Press washer 4PCS

T02140



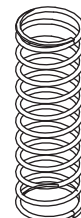
1mm adjuster ring 4PCS
2mm adjuster ring 4PCS
3mm adjuster ring 4PCS
5mm adjuster ring 4PCS

TG2017



Front Shock Absorber Spring
2PCS

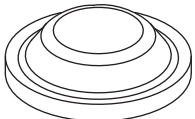
TG2018



Rear Shock Absorber Spring
2PCS

Parts list for Hyde truck - 4

T02073



Diaphragm

4PCS

TG2019



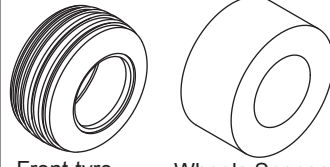
Rear-tyre

2PCS

Wheels Sponge

2PCS

TG2020



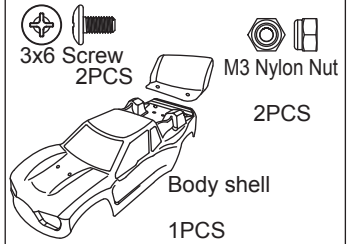
Front-tyre

2PCS

Wheels Sponge

2PCS

TG2032



3x6 Screw
2PCS

M3 Nylon Nut
2PCS

Body shell

1PCS

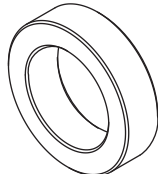
T02077



5x8x2.5 Contain oil ball bearing

6PCS

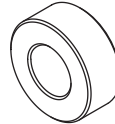
T02078



10x15x4 Contain oil ball bearing

6PCS

T02079



5x10x4 Contain oil ball bearing

6PCS

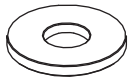
T02080



3x6x2.5 Ball Bearing

4PCS

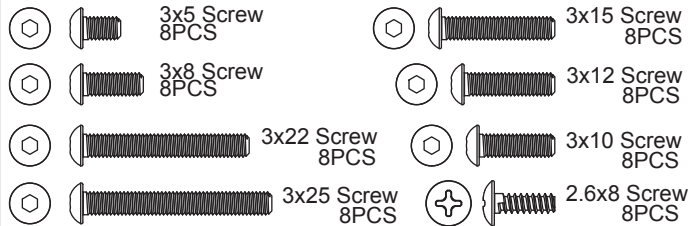
T02081



3x7x0.8 Washer

10PCS

T02082



3x5 Screw
8PCS

3x15 Screw
8PCS

3x8 Screw
8PCS

3x12 Screw
8PCS

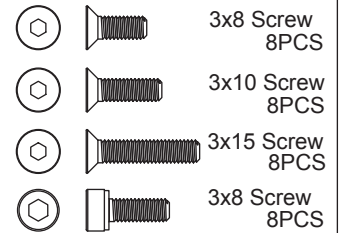
3x22 Screw
8PCS

3x10 Screw
8PCS

3x25 Screw
8PCS

2.6x8 Screw
8PCS

T02083



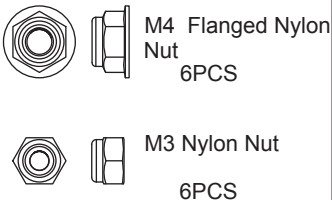
3x8 Screw
8PCS

3x10 Screw
8PCS

3x15 Screw
8PCS

3x8 Screw
8PCS

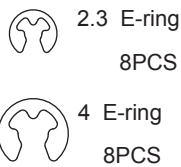
T02084



M4 Flanged Nylon Nut
6PCS

M3 Nylon Nut
6PCS

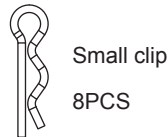
T02085



2.3 E-ring
8PCS

4 E-ring
8PCS

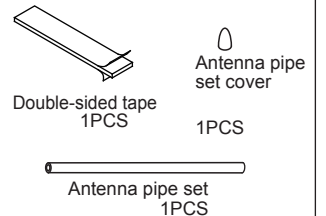
T02086



Small clip

8PCS

T02087

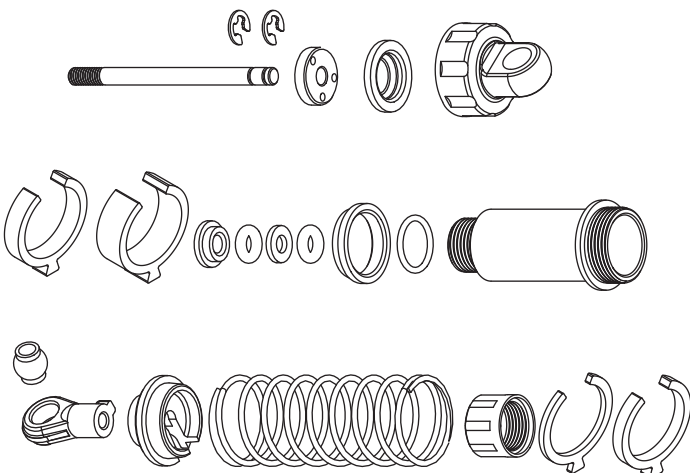


Double-sided tape
1PCS

Antenna pipe set cover
1PCS

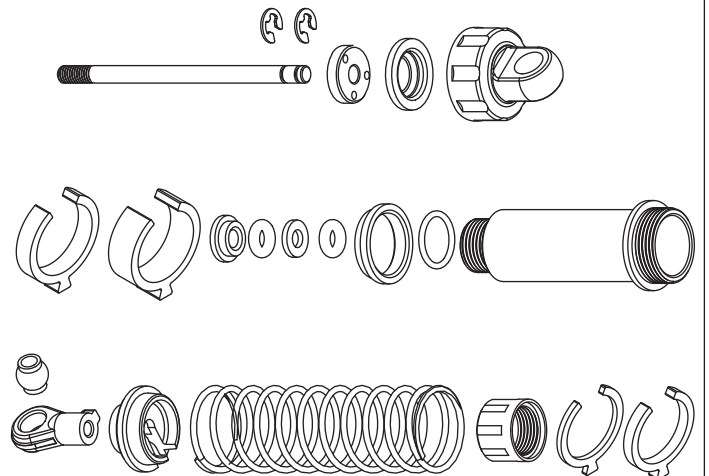
Antenna pipe set
1PCS

TG2022



Front Shock Absorber
2PCS

TG2023

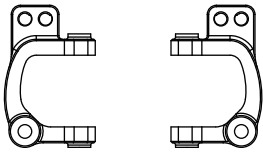


Rear Shock Absorber
2PCS

TR02T Upgrade Parts TR02T - Chassis

Tu0219

OP

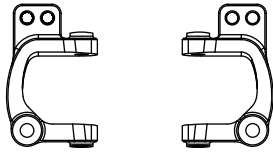


C-Type-Holder
25 Degree - L

C-Type-Holder
25 Degree - R

Tu0220

OP

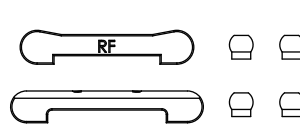


C-Type-Holder
30 Degree - L

C-Type-Holder
30 Degree - R

Tu0221

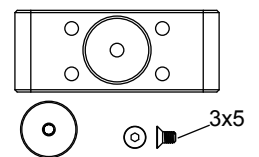
OP



Rear arm mount F/R 1Set

Tu0222

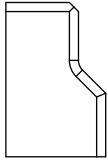
OP



Front arm mount 1Set

Tu0224

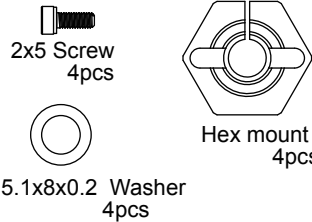
OP



Servo mount 2pcs

Tu0225

OP



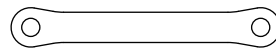
2x5 Screw
4pcs

5.1x8x0.2 Washer
4pcs

Hex mount
4pcs

Tu0226

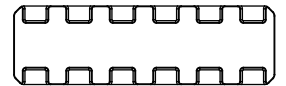
OP



Front hinge pin brace
1pcs

Tu0228

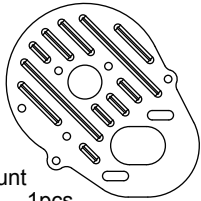
OP



Brass battery tray 1pcs

Tu0229

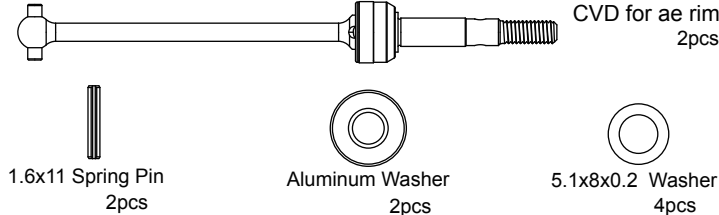
OP



Motor mount
1pcs

Tu0234

OP



CVD for ae rim
2pcs

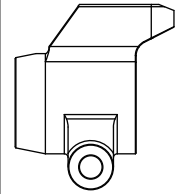
1.6x11 Spring Pin
2pcs

Aluminum Washer
2pcs

5.1x8x0.2 Washer
4pcs

Tu0236

OP



Rear hub carriers
2pcs

Tu0238

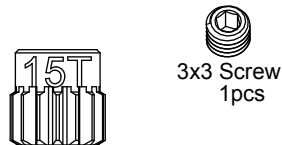
OP



Ceramic Ball 2.37mm
12pcs

H475

OP

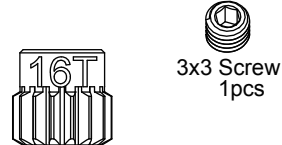


Aluminium Motor Gear - 15T
1pcs

3x3 Screw
1pcs

H476

OP

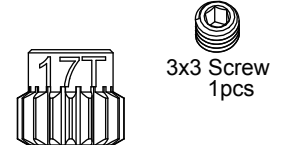


Aluminium Motor Gear - 16T
1pcs

3x3 Screw
1pcs

H477

OP

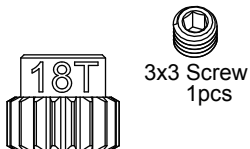


Aluminium Motor Gear - 17T
1pcs

3x3 Screw
1pcs

H478

OP

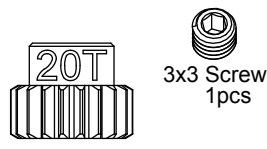


Aluminium Motor Gear - 18T
1pcs

3x3 Screw
1pcs

H480

OP

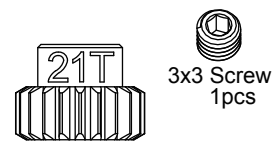


Aluminium Motor Gear - 20T
1pcs

3x3 Screw
1pcs

H481

OP

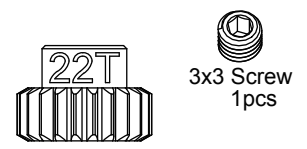


Aluminium Motor Gear - 21T
1pcs

3x3 Screw
1pcs

H482

OP

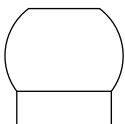


Aluminium Motor Gear - 22T
1pcs

3x3 Screw
1pcs

Tu0223

OP

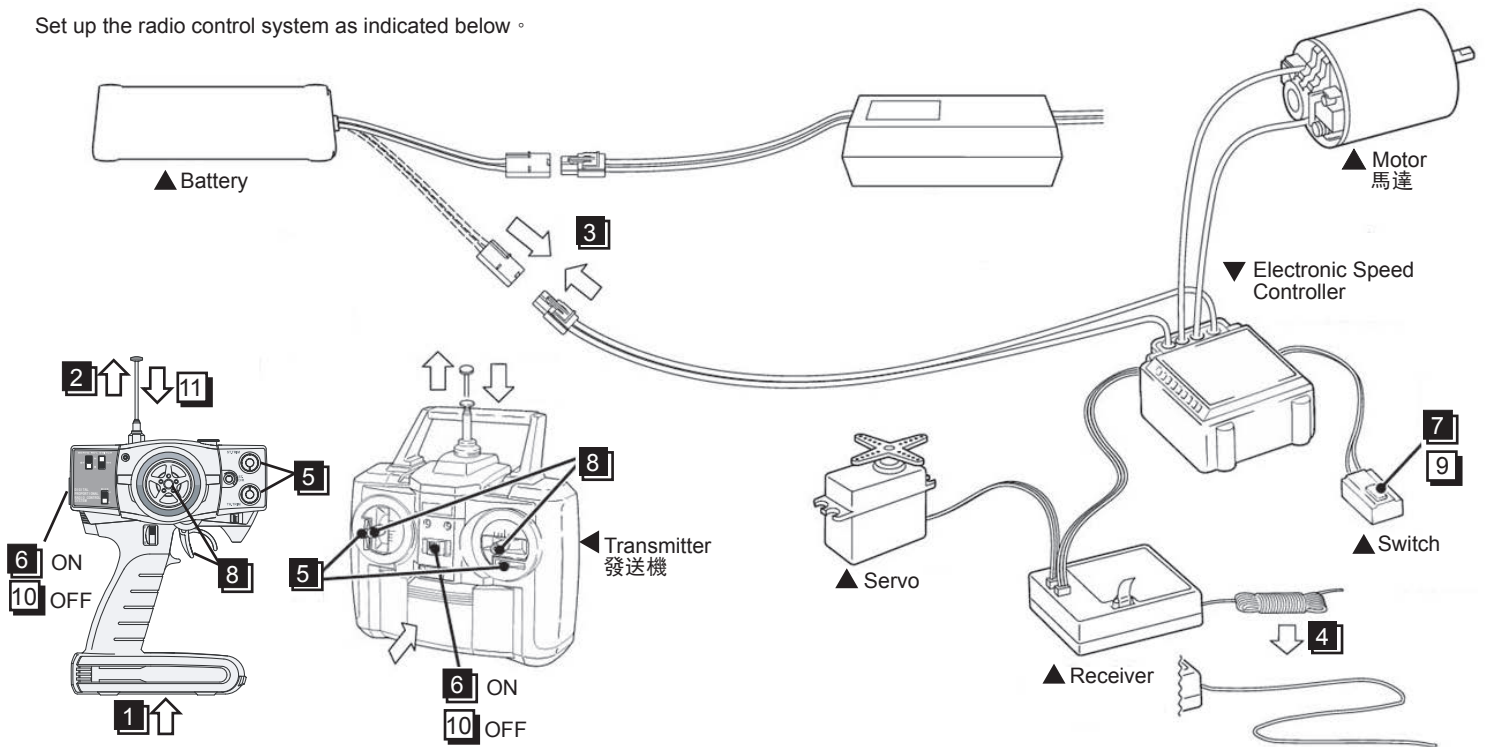


Rear arm mount -Ball 8pcs

Transmitter Preparation

A new Ni-MH battery must be charged before it is used. Refer to the charger instruction manual for charging.

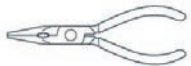
Set up the radio control system as indicated below.



- **Start**
 - 1 Install batteries.(Transmitter)
 - 2 Extend the antenna.(Transmitter)
 - 3 Connect the battery
 - 4 Extend the antenna.(Receiver)
 - 5 Center the trims.
 - 6 Switch on.(Transmitter)
 - 7 Switch on.(Receiver)
 - 8 Make sure the servos are in command.
- **Finish**
 - 9 Switch off.(Receiver)
 - 10 Switch off.(Transmitter)
 - 11 Retract the antenna(Transmitter)

Tools required

● Needle Nose Pliers



● Awl



● Grease



● Screw Cement



● Instant Glue



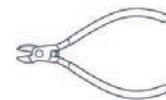
● Ball differential Grease(Clear)



● SP KINFE EDGE REAMER



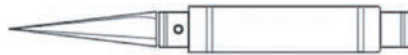
● Wire Cutters



● ROUND CUTTER&SANDER

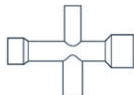


● Molybdenum Grease(Black)



● Hex Wrench

● Hex Wrench



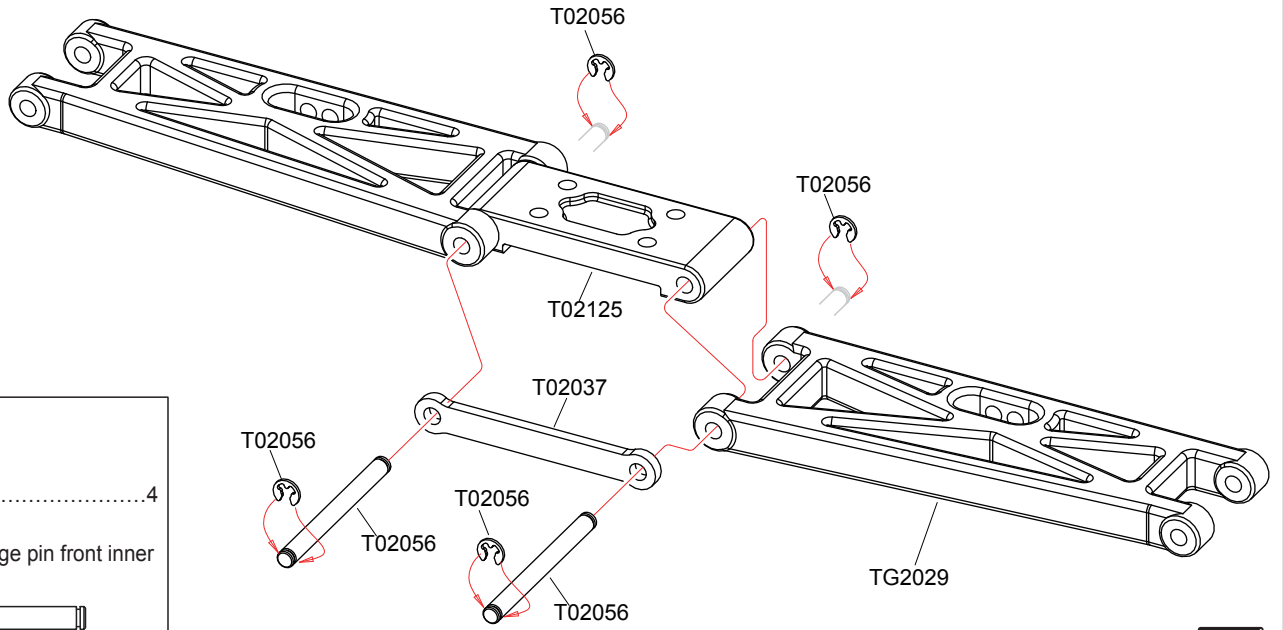
No need to pre-drill precise holes
(1mm to 15mm) can be drilled

● Sharp Hobby knife




For trimming bodies!


1 Front Suspension



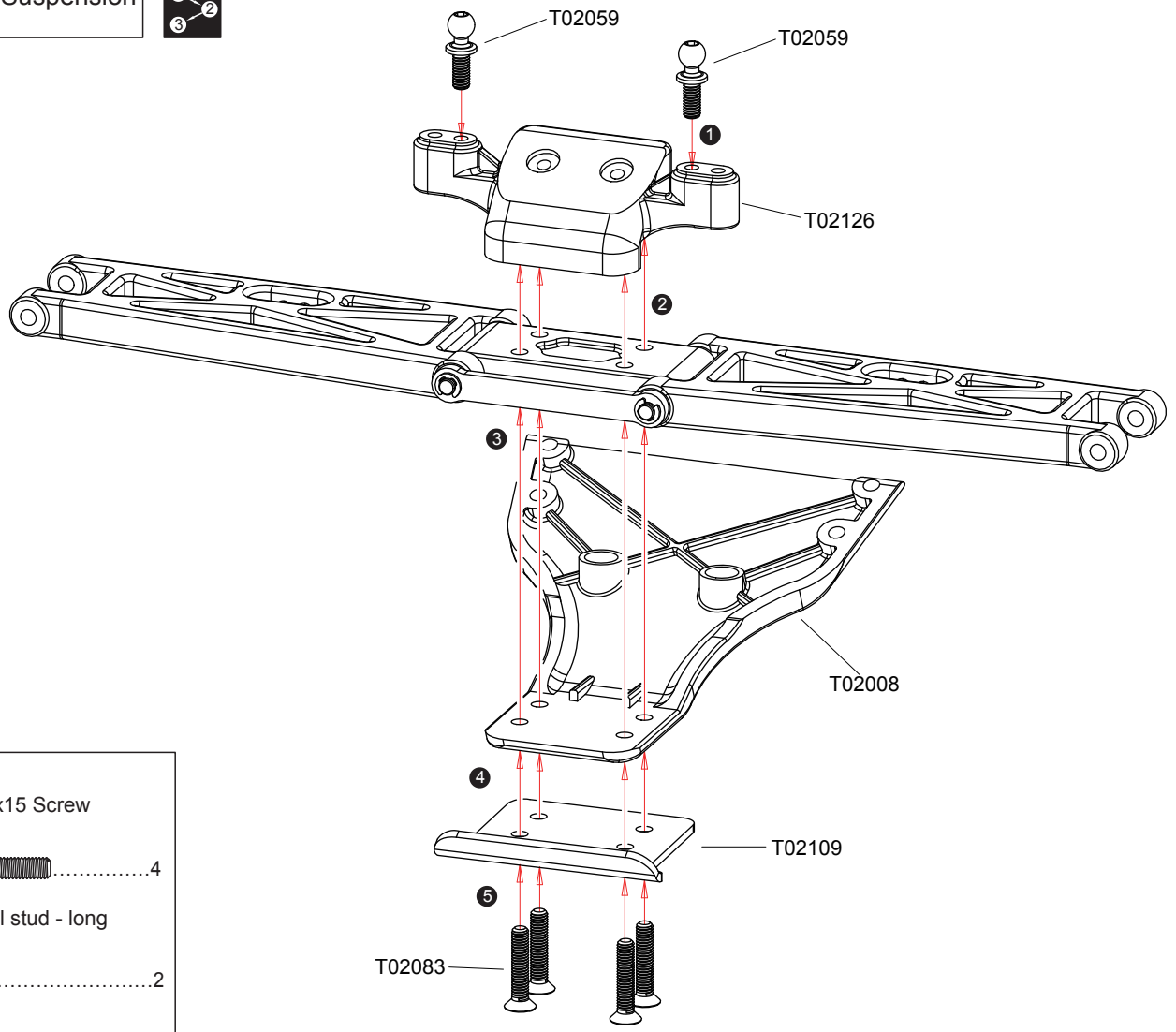
T02056 2.3 E-ring

4


T02056 3x34.5 Hinge pin front inner

2

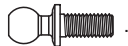

2 Front Suspension



T02083 M3x15 Screw

4

T02059 Ball stud - long

2

3

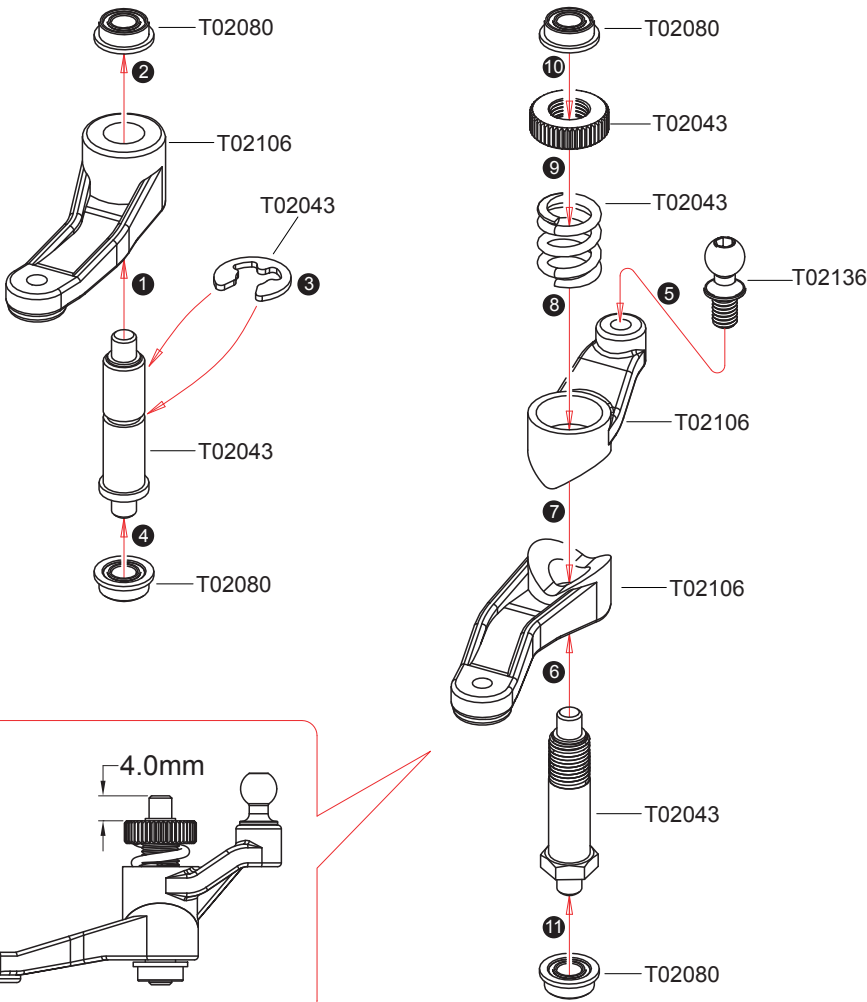


Assemble in the specified order




Assemble left and right sides the same way

3 Buffer



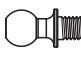
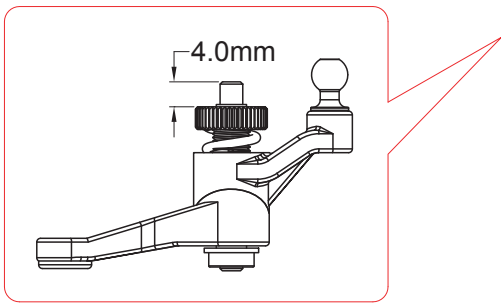
T02043 4.0 E-ring

 1

T02080 3x6x2.5 Ball Bearing

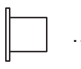
 4

T02136 Ball stud - silvery

 1

4 Buffer

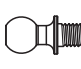
T02044 4.5x5.4 Block Carrier

 2

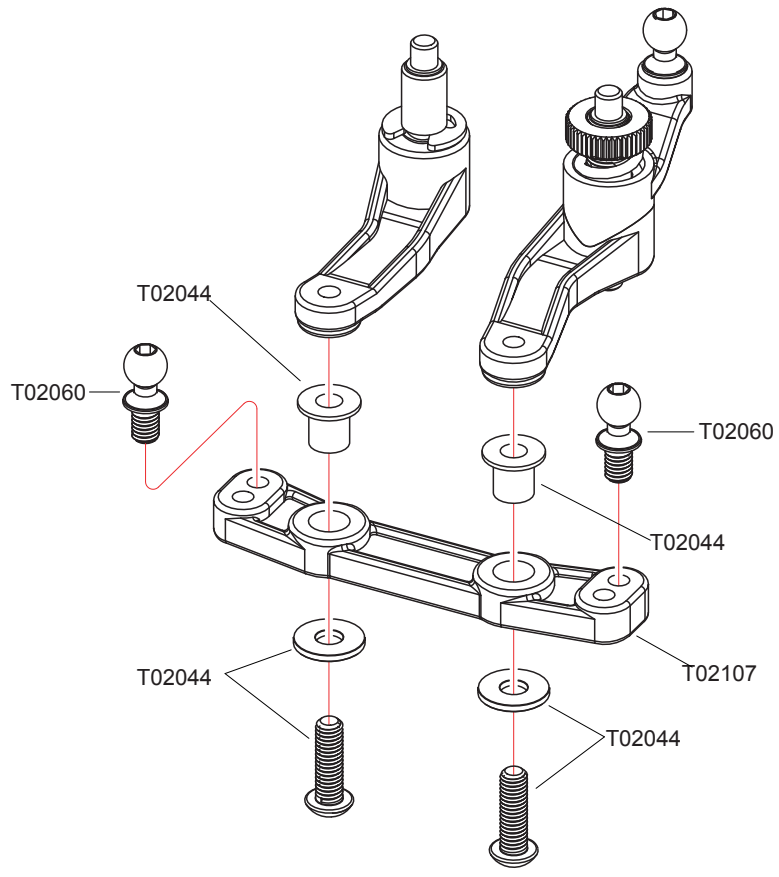
T02044 M3x10 Screw

 2

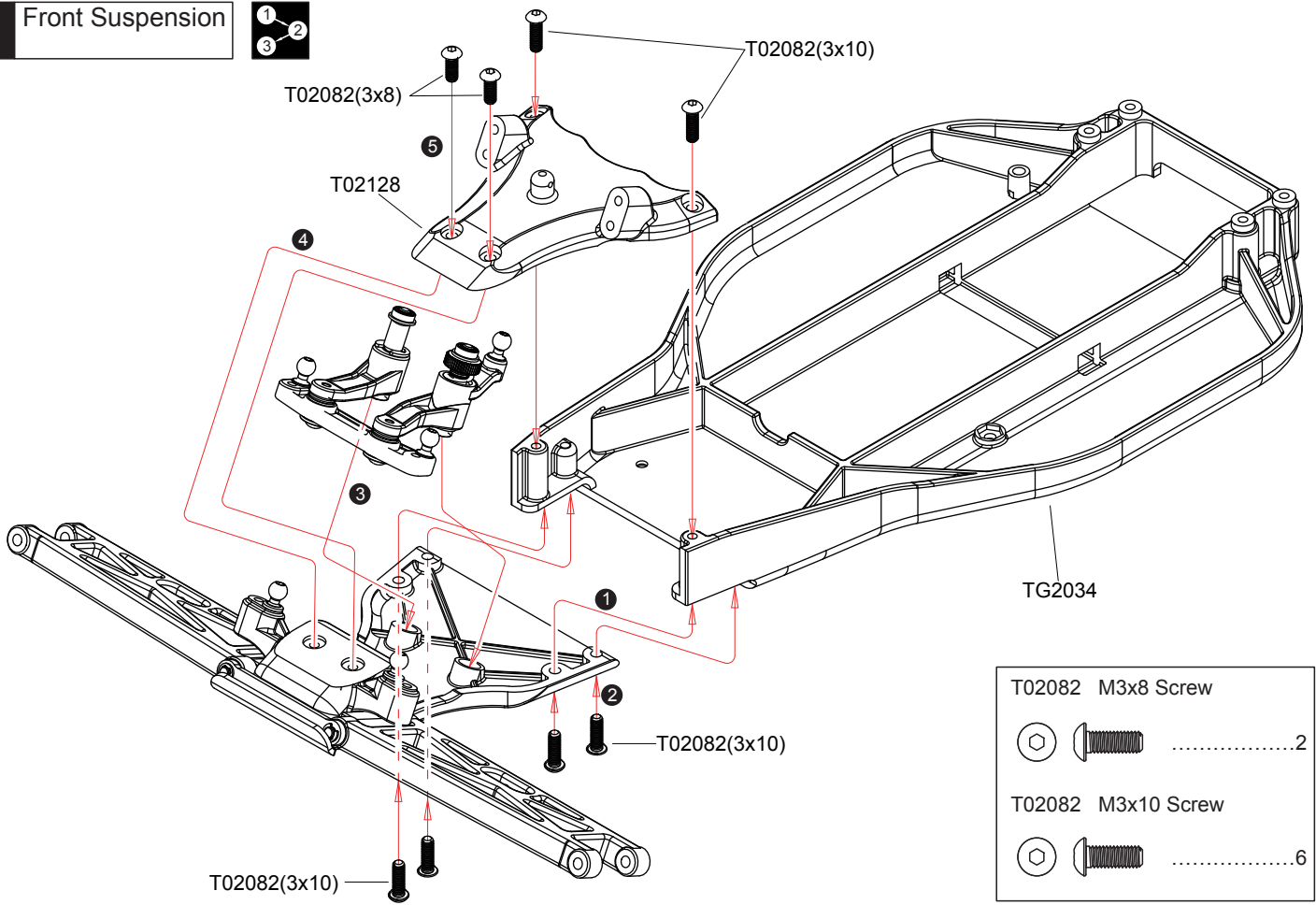
T02060 Ball stud - short

 2

T02044 3x7x0.8 Washer

 2

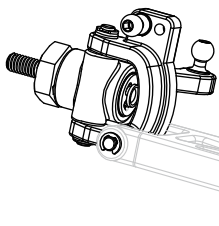
5 Front Suspension



T02082	M3x8 Screw	2
T02082	M3x10 Screw	6

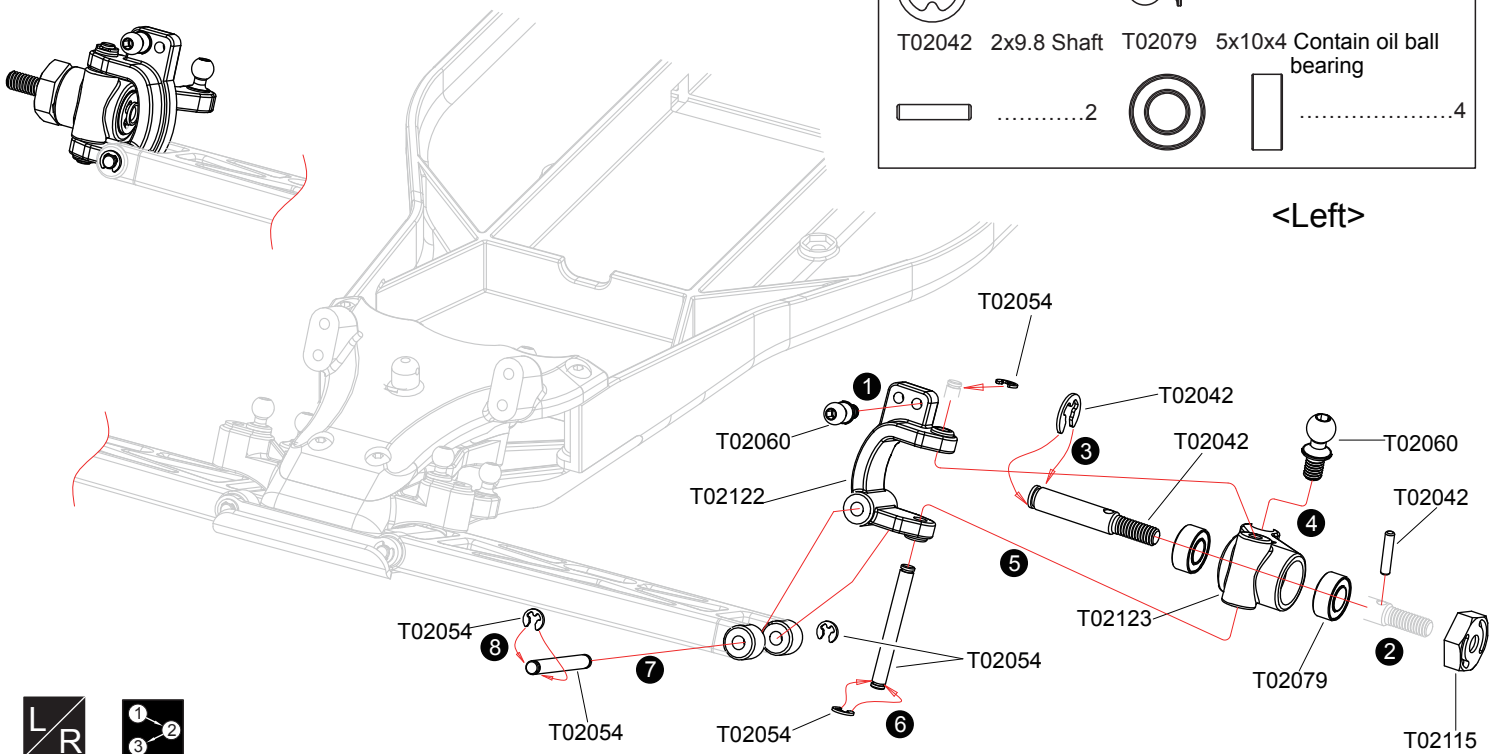
6 Front Suspension

<Right>



T02054	2.3 E-ring	8
T02054	3x27.5 Hinge pin front outer	4
T02042	4.0 E-ring	2
T02060	Ball stud - short	4
T02042	2x9.8 Shaft	2
T02079	5x10x4 Contain oil ball bearing	4

<Left>



5

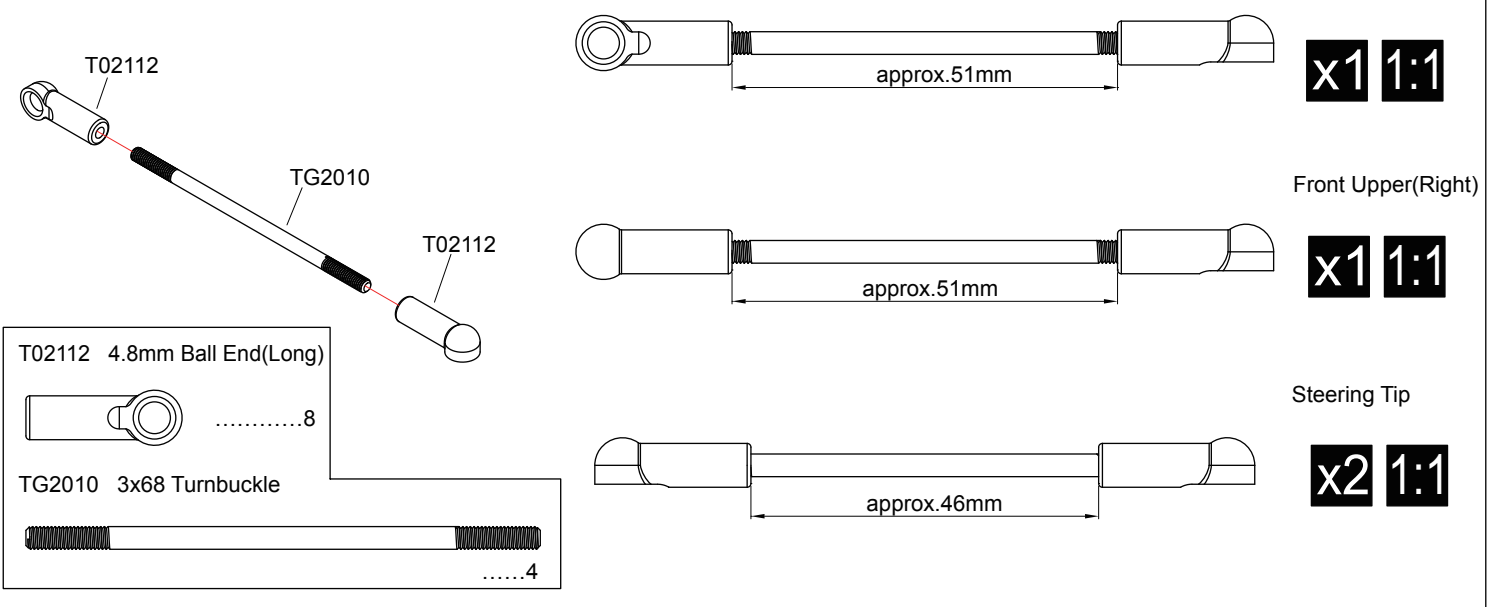


Assemble in the specified order

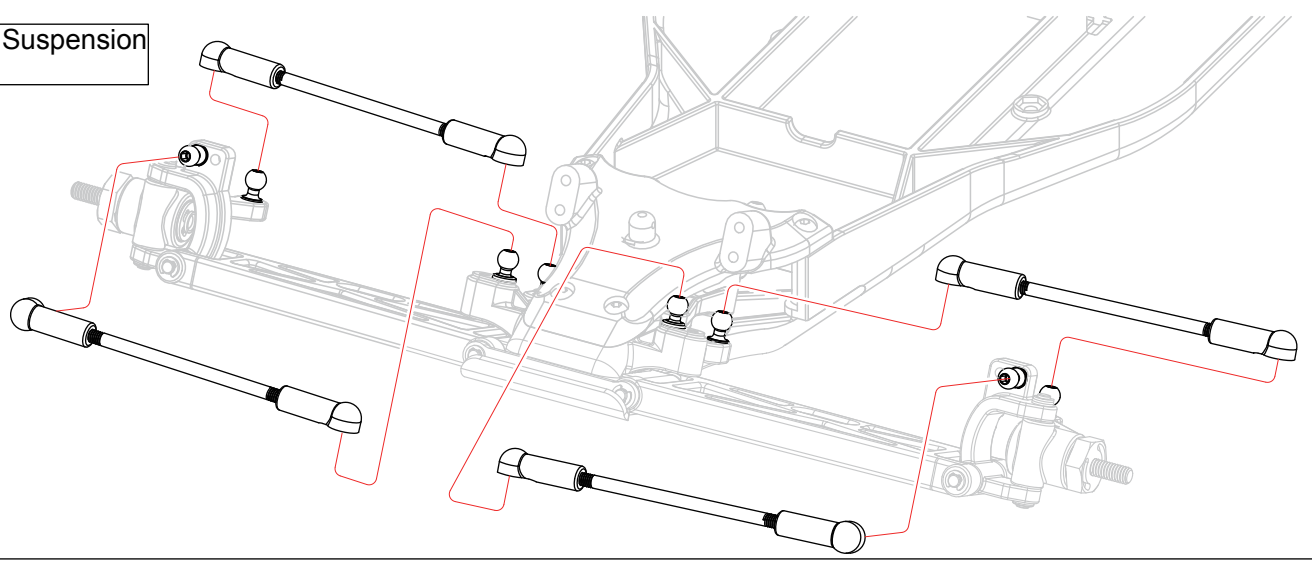


Assemble left and right sides the same way

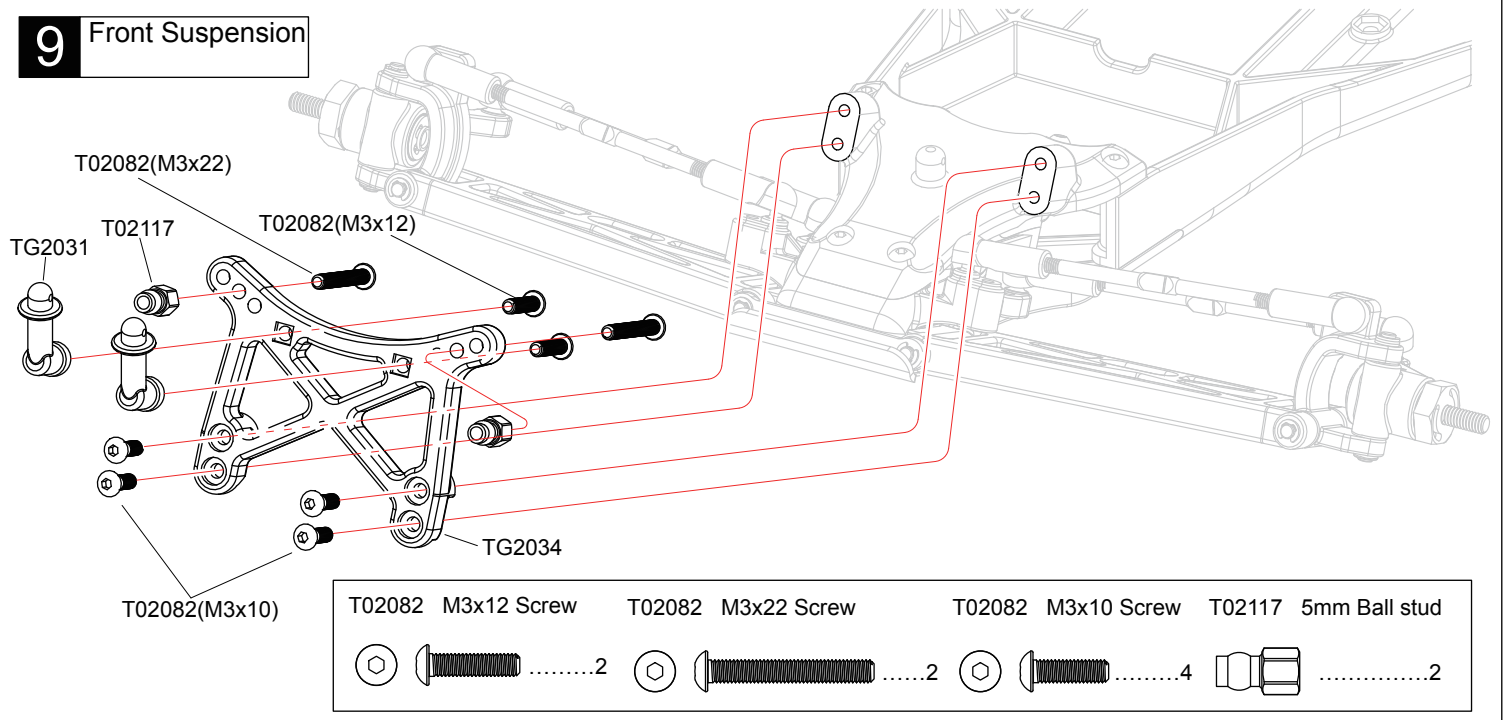
7 Front Suspension



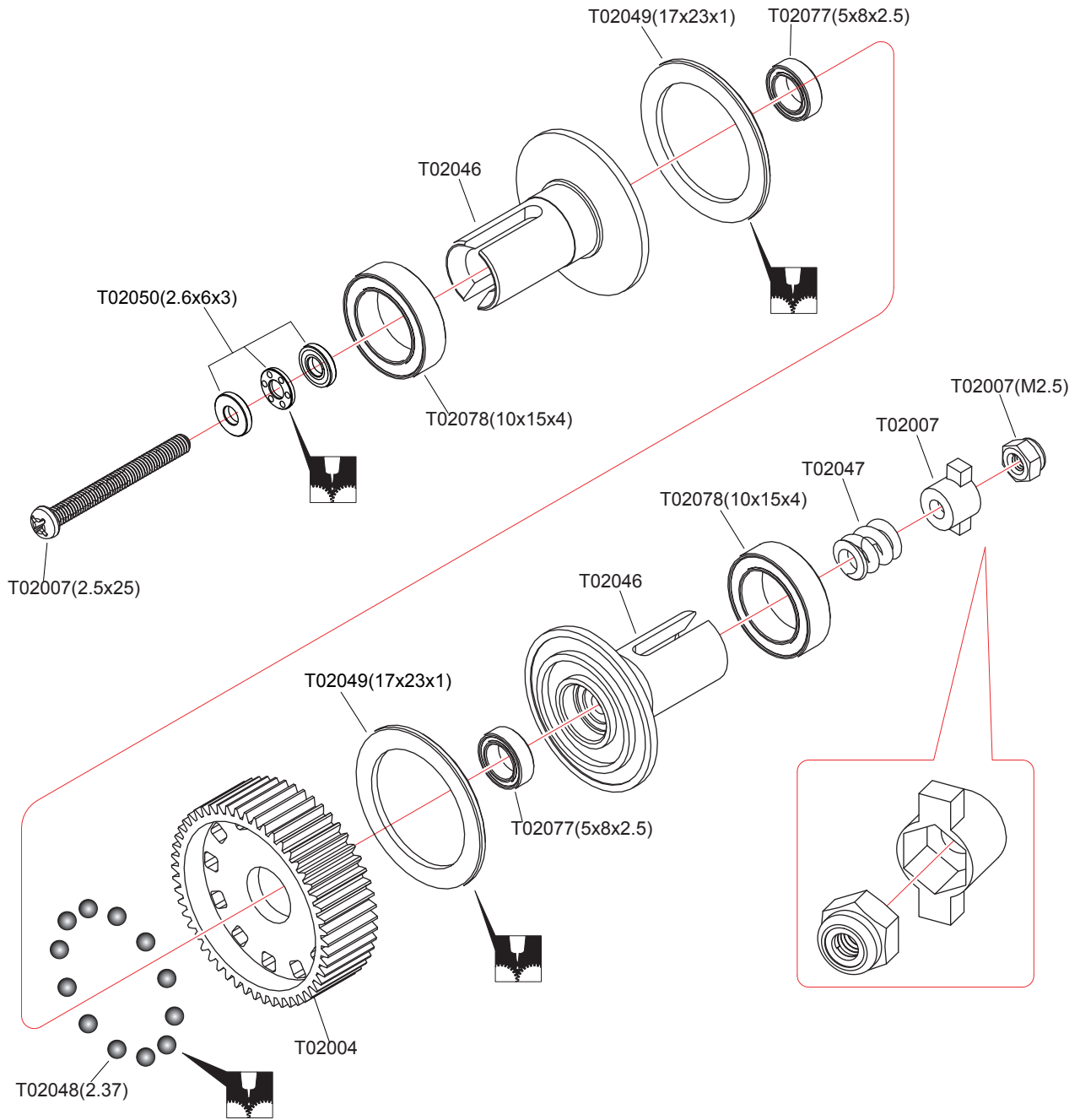
8 Front Suspension



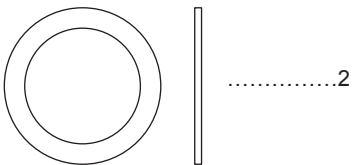
9 Front Suspension



10 Differential Gear



T02049 17x23x1 Washer



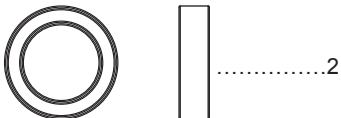
T02007 M2.5x25 Screw



T02077 5x8x2.5 Contain oil ball bearing



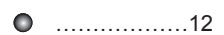
T02078 10x15x4 Contain oil ball bearing



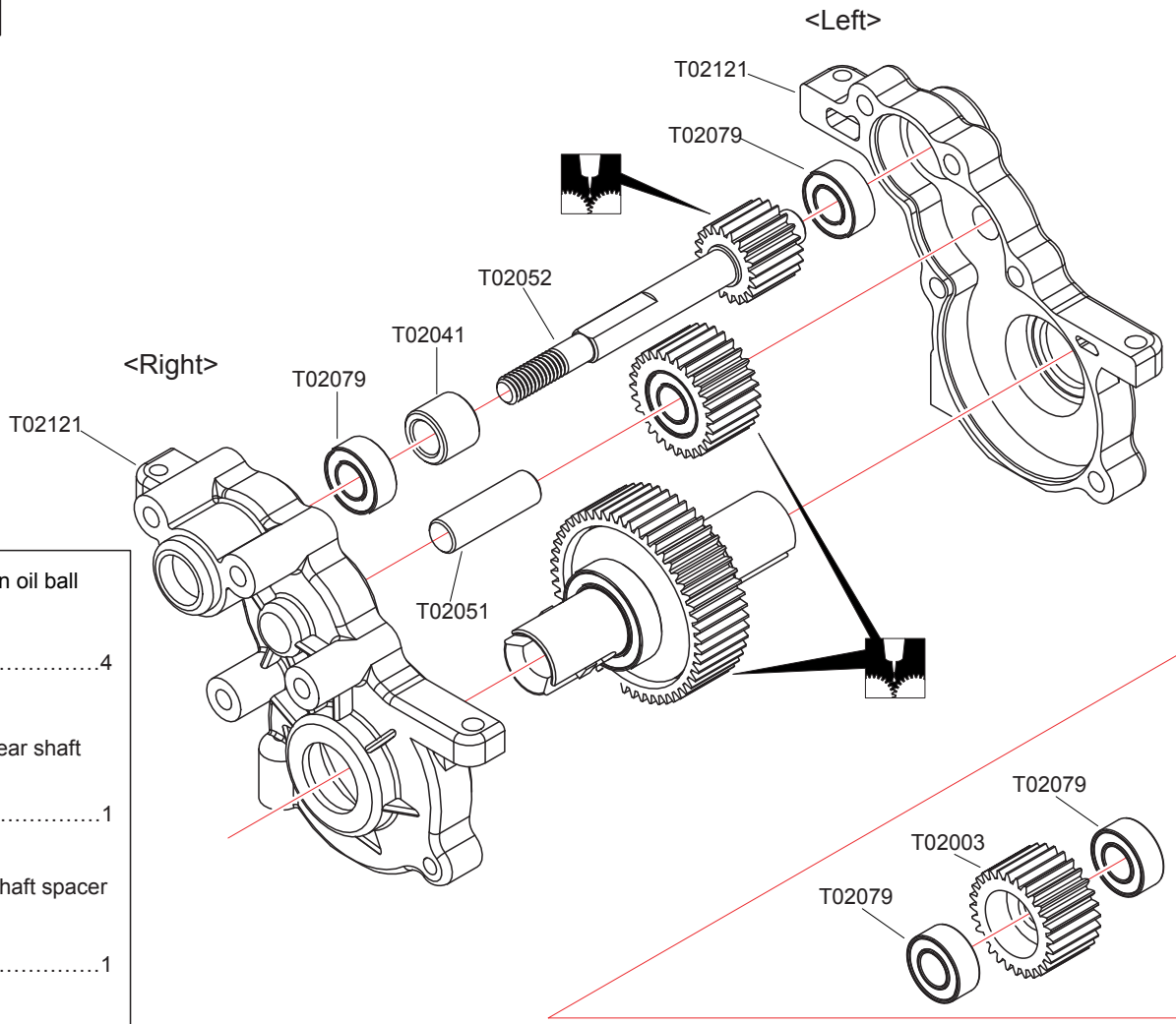
T02007 M2.5 Nylon Nut





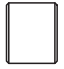


T02048 2.37mm Ball

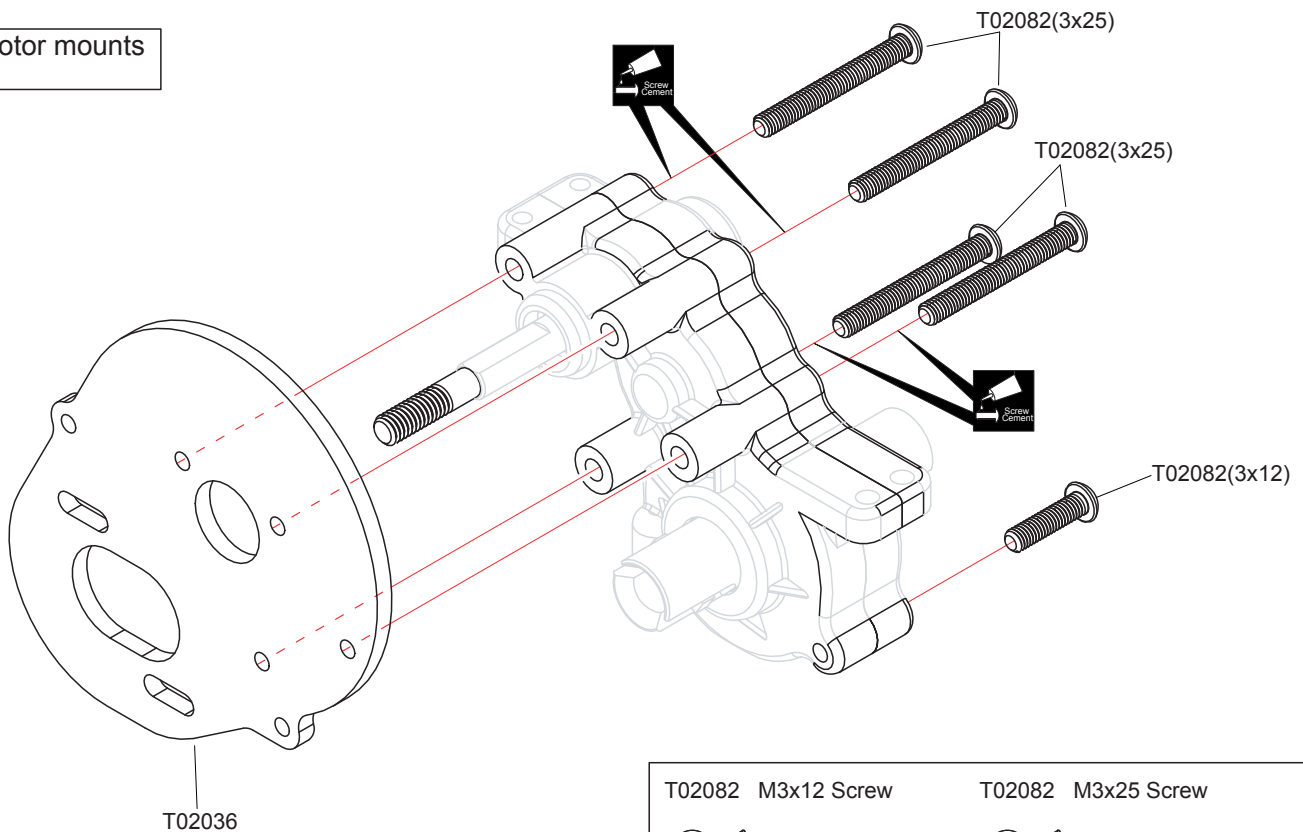




11 Transmission



- T02079 5x10x4 Contain oil ball Bearing
 4
- T02051 5x16.8 idler gear shaft
1
- T02041 5x8x6.7 Top shaft spacer
 1

12 Motor mounts



- T02082 M3x12 Screw 1
- T02082 M3x25 Screw 4